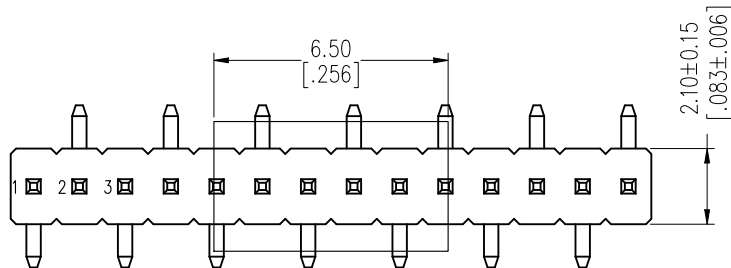


# HSF

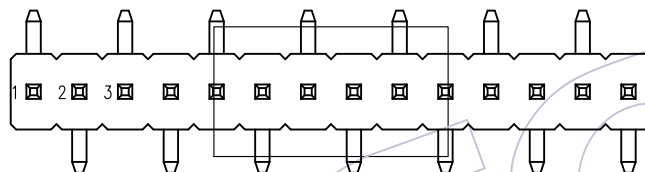
NOTES:  
 Rated Current: 1.0AMP.  
 Contact Resistance: 20mΩ Max.  
 Withstand Voltage: 500V AC/DC  
 Insulation Resistance: 1000MΩ Min.  
 Operation Temperature: -40°C to +105°C

Contact Material: Brass  
 Contact Plating: Au or Sn Over Ni  
 Insulator Material: PA9T+33%G.F UL94V-0 BK

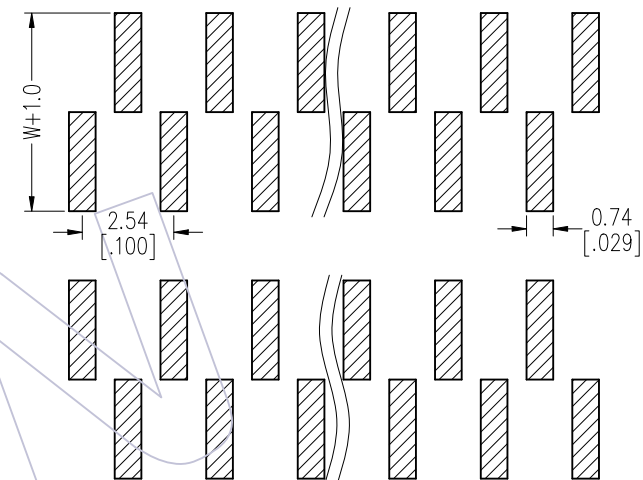
Recommended P.C.B Layout (Top Side)  
 (PCB BOARD TOLERANCE ±0.05)



TYPE-1



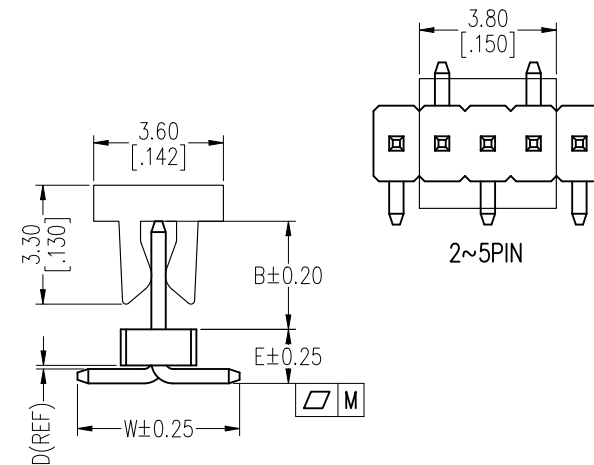
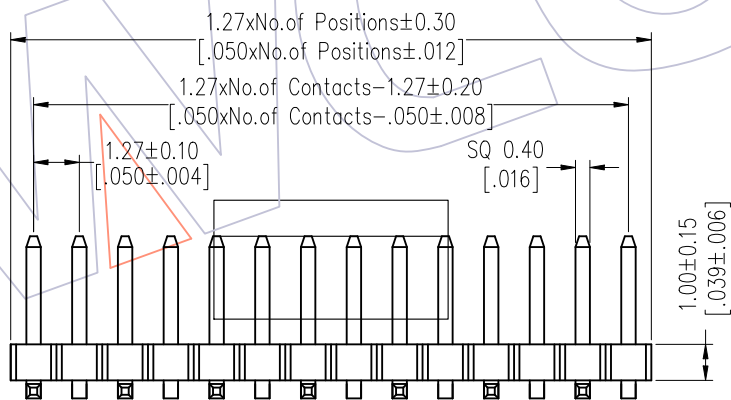
TYPE-2



## Ordering Information

1310-11 XX XX M XXX C R XX

No. of Pins	Contact Plating	Pin Length	Insulator	Packing	Series No.
02~50	G0=Gold Flash G3=10u"Gold G4=15u"Gold G5=30u"Gold	L=B+D+1.0+ $\frac{W}{2}$ Std:052=5.2 063=6.3 073=7.3	C=PA9T	A=Tray T=Tube P=Tube+CAP R=Tape&Reel+CAP	01~99
	S0=Gold Flash/Tin S3=10u"Gold/Tin S4=15u"Gold/Tin S5=30u"Gold/Tin SN=Tin SM=Matte Tin				



2~5PIN

Item	Pin Length	W	E	B	Mating
Standard	5.2	4.50	1.50	1.90	2321
	6.3	4.50	1.50	3.00	2334
	7.3	4.50	1.50	4.00	2344
Alternate					

PIN(PerRow)	2-15P	16-30P	31-50P
M	0.10	0.15	0.20

REV	DATE	MODIFICATION DESCRIPTION	CHANGE	OPERATION	DRAW	DATE	SCALE	Fit	PART NO.
A2	2023/02/01	Add Flatness	△	Du Ying	Du Ying	2023/02/01	UNIT	mm [inch]	1310-11XXXXMXXXCXXX △
A1	2018/01/12	MODIFY PART NO.	△	William Chen	CHECK	DATE	SIZE	A4	TITLE: 1.27 Pin Header, SINGLE ROW, SMT, H=1.0
A0	2012/03/12	NEW	-----	-----	APPROVE	DATE	SHEET	1/1	Customer NO.
REV	DATE	MODIFICATION DESCRIPTION	CHANGE	ANGLE	DIM	TOL	PROJ.		

**WCON**  
 Http: www.wcon.com  
 WCON-Dongguan Tel: +86 769 85358920  
 WCON-Kunshan Tel: +86 512 57468408  
 Fax: +86 769 85358915  
 Fax: +86 512 57468468  
 E-mail: sales@wcon.com  
 E-mail: salesks@wcon.com