


HSF

NOTES:
 Rated Current: 1.0AMP.
 Contact Resistance: 20mΩ Max.
 Withstand Voltage: 500V AC/DC
 Insulation Resistance: 1000MΩ Min.
 Operation Temperature: -40°C to +125°C(GOLD)
 -40°C to +105°C(TIN) 

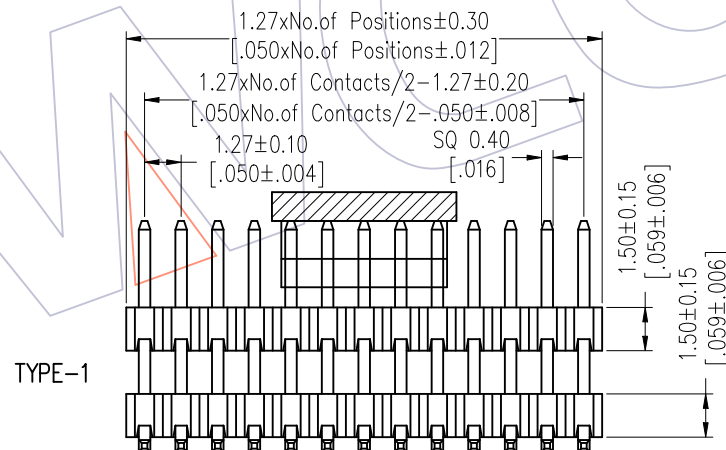
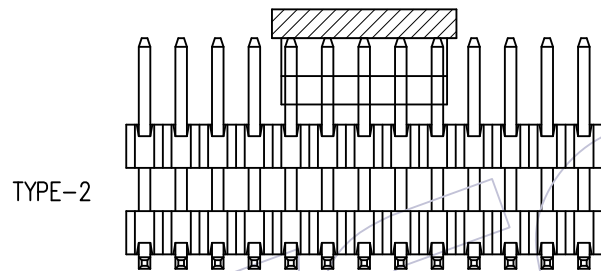
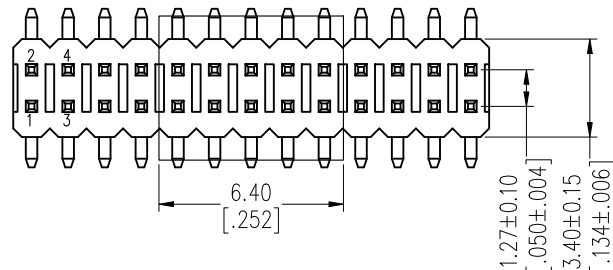
Contact Material: Brass
 Contact Plating: Au or Sn Over Ni
 Insulator Material: PA9T+33%G.F UL94V-0 BK

Ordering Information

1315-22 XX XX M XXX C R XX

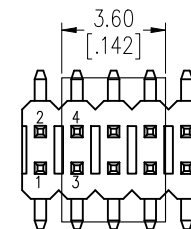
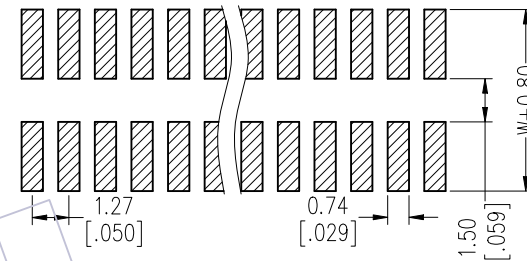
No. of Pins Per Row: 02-50	Contact Plating G0=Gold Flash G3=10u"Gold G4=15u"Gold G5=30u"Gold S0=Gold Flash/Tin S3=10u"Gold/Tin S4=15u"Gold/Tin S5=30u"Gold/Tin SN=Tin SM=Matte Tin	Pin Length L=B+C+D+W/2 1.27	Insulator C=PA9T	Series No. 01-99	Packing A=Tray T=Tube P=Tube+CAP R=Tape&Reel+CAP
-------------------------------	---	-----------------------------------	---------------------	---------------------	--

Item	Pin Length	W	D	B	E	Mating
Standard	--	5.50	0.10	1.90	--	2321
	--	5.50	0.10	3.00	--	2334
	--	5.50	0.10	4.00	--	2344
Alternate						

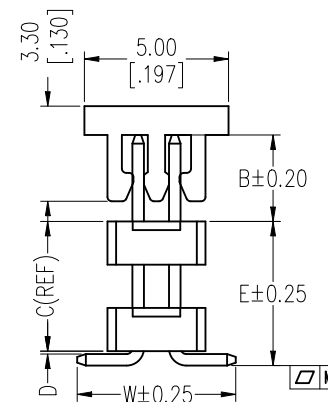



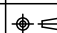
Recommended P.C.B Layout (Top Side)


(PCB BOARD TOLERANCE ±0.05)



2*2P~2*5P



A4	2021/12/27	MODIFY CAP	Du Ying	OPERATION	DRAW	DATE	SCALE	Fit	PART NO. 1315-22XXXXMXXXCXXX 
A3	2018/09/07	MODIFY	Ding	x.X ±0.40	Du Ying	2021/12/27	UNIT	mm [inch]	
A2	2018/01/15	MODIFY PART NO.	-----	x.XX ±0.25	CHECK	DATE	SIZE	A4	TITLE: 1.27 Pin Header, DUAL ROW, SMT, DOUBLE PLASTIC, H=1.5
A0	2012/03/15	NEW	-----	x.XXX ±0.15	APPROVE	DATE	SHEET	1/1	
REV	DATE	MODIFICATION DESCRIPTION	CHANGE	Angle ± 3°	APPROVE	DATE	PROJ.		Customer NO.
				DIM TOL					

	PIN	2-15P	16-30P	31-50P
	M	0.10	0.15	0.18

WCON

Http: www.wcon.com

WCON-Dongguan Tel: +86 769 85358920 Fax: +86 769 85358915 E-mail: sales@wcon.com	WCON-Kunshan Tel: +86 512 57468408 Fax: +86 512 57468468 E-mail: salesks@wcon.com
---	--