

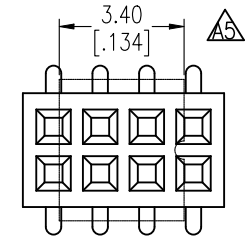
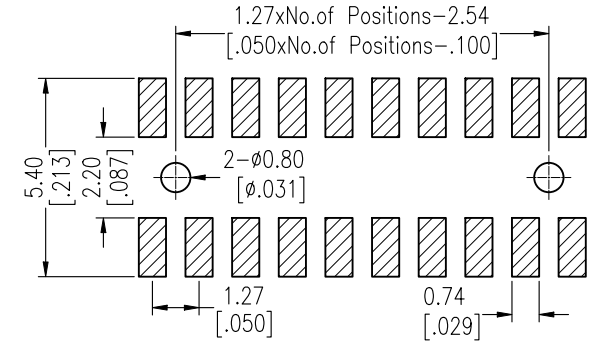
HSF

NOTES:

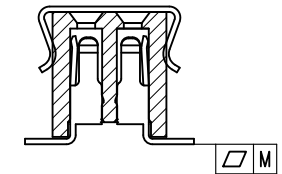
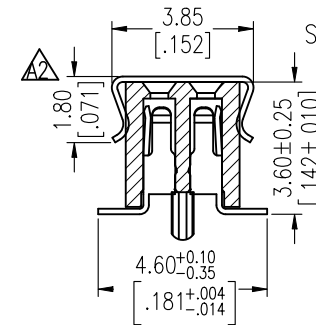
Current Rating: 1.0AMP
 Contact Resistance: 20mΩ Max
 Withstand Voltage: 500V AC
 Insulation Resistance: 1000MΩ Min
 Operation Temperature: -40°C to +105°C

Contact Material: Phosphor Bronze
 Contact plating: Au over Ni
 Insulator Material: PA9T+33%GF UL94V-0

Recommended P.C.B Layout (Top Side)
 (PCB BOARD TOLERANCE ±0.05)

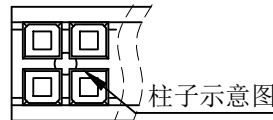
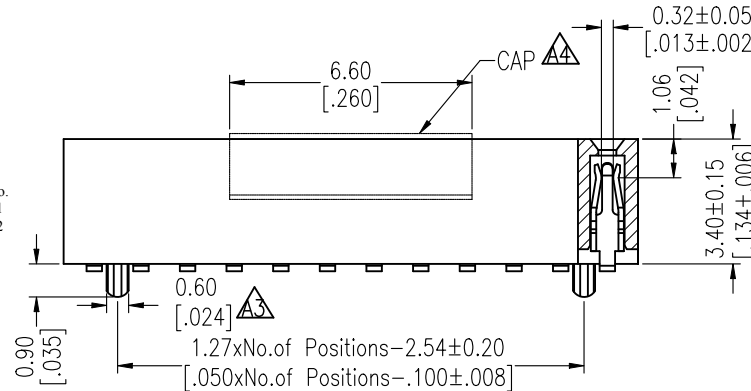
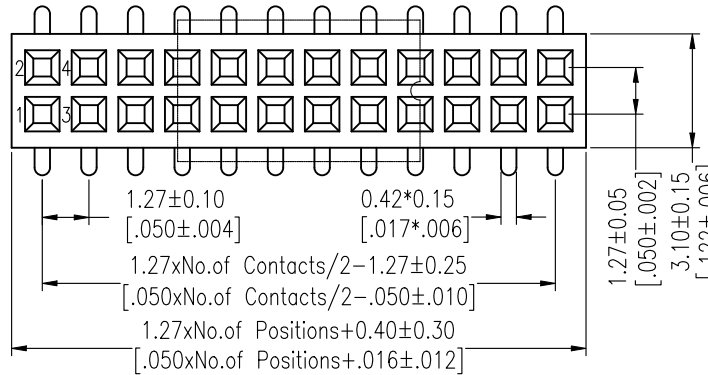


Special CAP for 2*2P, 2*3P, 2*4P



TYPE 1 W/O POST

TYPE 2 WITH POST



Ordering Information

2334-2 XX M XX CUN X X

No. of Pins per Row: 02-50Pin

Contact Plating:
 G0=Gold Flash
 G3=10u"Gold
 G4=15u"Gold
 G5=30u"Gold

Packing:
 T=Tube
 P=Tube+CAP
 R=Tape&Reel+CAP

Series No.
 1=Type 1
 2=Type 2

Item	Pitch	Mating
Standard	1.27	1310/1315/1320/3130
Alternate		

Pin(Per Row)	2-15P	16-30P	31-50P
M	0.10	0.15	0.18

TITLE	PART NO.
TYPE 1	2334-2XXMXXCUNX1
TYPE 2	2334-2XXMXXCUNX2

REV	DATE	MODIFICATION DESCRIPTION	CHANGE	OPERATION	DRAW	DATE	SCALE	FIT	PART NO.
B0	2023/02/03	Modify Flatness	-----	OPERATION	DRAW	2023/02/03	SCALE	FIT	PART NO.
A5	2016/06/17	Modify CAP 3.00 → 3.40	-----	x.X ±0.40	XSR		UNIT	mm	SEE TABLE
A4	2014/12/30	Modify CAP	-----	x.XX ±0.25	CHECK	DATE	SIZE	A4	TITLE:
A0	2012/07/06	NEW	-----	x.XXX ±0.15	APPROVE	DATE	SHEET	1/1	1.27mm Female Header
				Angle ± 3°			PROJ.		DUAL ROW 180°SMT H=3.40
				DIM TOL					Customer NO.

WCON

Http: www.wcon.com

WCON-Dongguan Tel: +86 769 85358920 Fax: +86 769 85358915 E-mail: sales@wcon.com

WCON-Kunshan Tel: +86 512 57468408 Fax: +86 512 57468468 E-mail: salesks@wcon.com