

HSF

NOTES:
 Current Rating: 1.0AMP
 Contact Resistance: 20mΩ Max
 Withstand Voltage: 500V AC
 Insulation Resistance: 1000MΩ Min
 Operation Temperature: -40°C to +105°C

Contact Material: Phosphor Bronze
 Contact plating: Au Or Sn over Ni
 Insulator Material: PA9T+33%GF UL94V-0

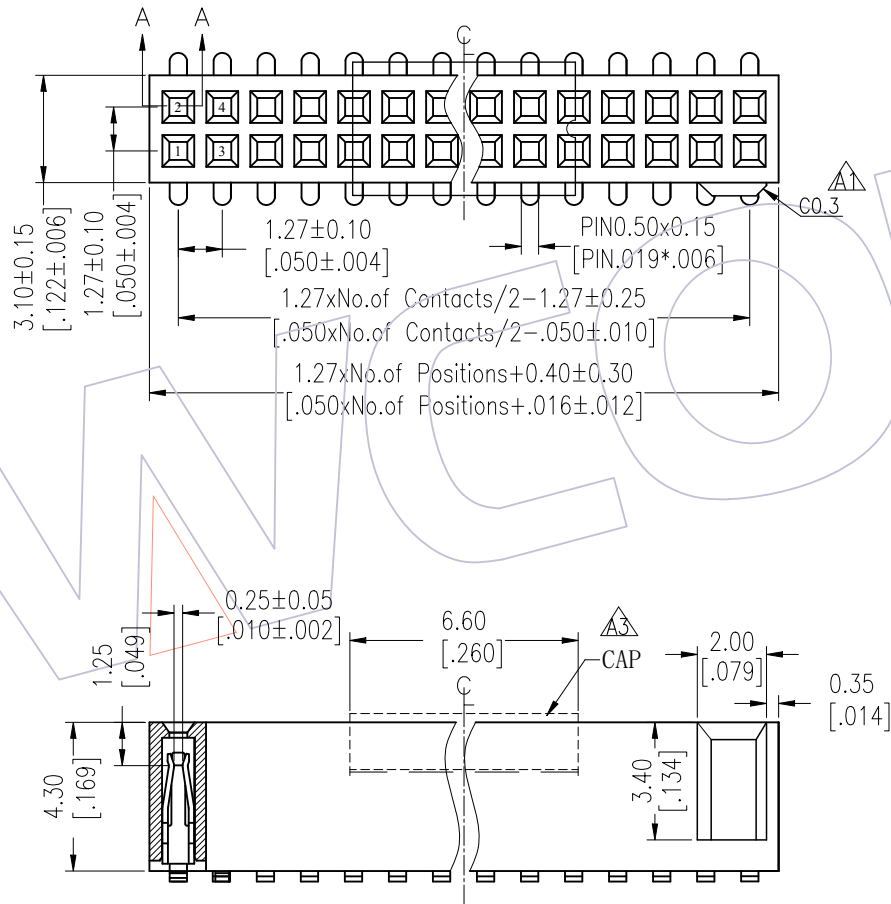
Ordering Information

2344-2 XX M XX CUN X 5

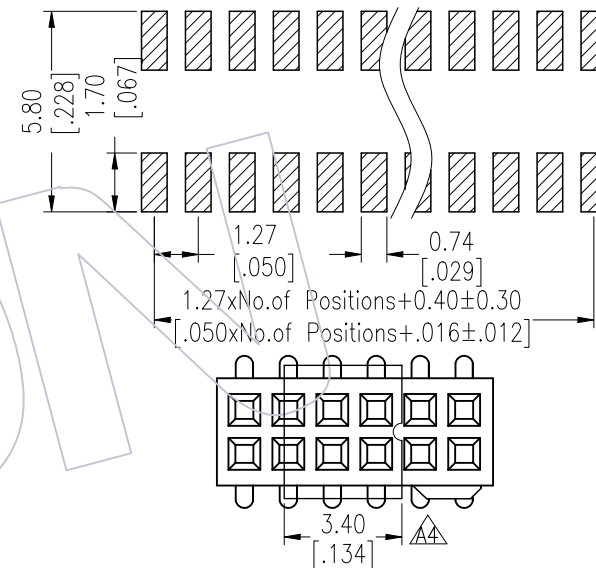
No. of Pins per Row: 02-50Pin

Contact Plating:
 G0=Gold Flash
 G3=10μ"Gold
 G4=15μ"Gold
 G5=30μ"Gold
 S0=Gold Flash/Tin
 S3=10μ"Gold/Tin
 S4=15μ"Gold/Tin
 S5=30μ"Gold/Tin
 SN=Tin

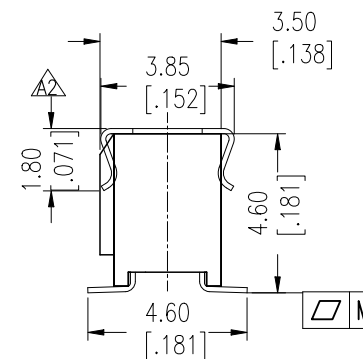
Packing:
 T=Tube
 P=Tube+CAP
 R=Tape&Reel+CAP



Recommended P.C.B Layout(Top Side)
 (PCB BOARD TOLERANCE±0.05)



Special CAP for 2*4P,2*5P,2*6P



Item	Pitch	Mating
Standard	1.27	310/1315/1320/3131/3133/3100
Alternate		

REV	DATE	MODIFICATION DESCRIPTION	CHANGE	OPERATION	DRAW	DATE	SCALE	FIT	PART NO.
A5	2023/02/03	Modify Flatness	-----	OPERATION	XSR	2023/02/03	UNIT	mm	2344-2XXMXXCUNX5
A4	2016/06/17	Modify CAP 3.00 → 3.40	-----	X.X ±0.40	CHECK	DATE	SIZE	A4	TITLE:
A3	2016/06/13	Modify CAP	-----	X.XX ±0.25	APPROVE	DATE	SHEET	1/1	1.27mm Female Header DUAL SMT WITH BUMP H=4.30
A1	2012/09/04		-----	X.XXX ±0.15	APPROVE	DATE	PROJ.	Customer NO.	
				Angle ± 3°					
				DIM TOL					

Pin(Per Row)	2-15P	16-30P	31-50P
M	0.10	0.15	0.18

WCON

Http: www.wcon.com

WCON-Dongguan WCON-Kunshan
 Tel: +86 769 85358920 Tel: +86 512 57468408
 Fax: +86 769 85358915 Fax: +86 512 57468468
 E-mail: sales@wcon.com E-mail: salesks@wcon.com