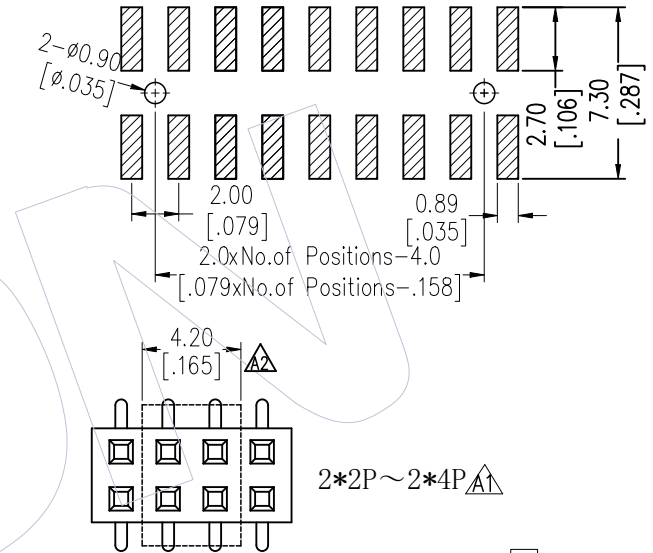


HSF

NOTES:
 Current Rating: 2.0AMP
 Contact Resistance: 20mΩ Max
 Withstand Voltage: 500V AC
 Insulation Resistance: 1000MΩ Min
 Operation Temperature: -40°C to $+125^{\circ}\text{C}$ (Au)
 -40°C to $+105^{\circ}\text{C}$ (Sn)

Contact Material: Phosphor Bronze
 Contact plating: Au over Ni
 Insulator Material: PA9T+33%GF UL94V-0

Recommended P.C.B Layout(Top Side)
 (PCB BOARD TOLERANCE ± 0.05)



Ordering Information

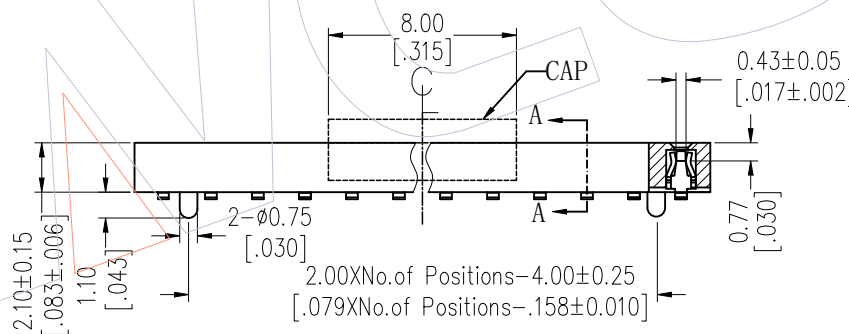
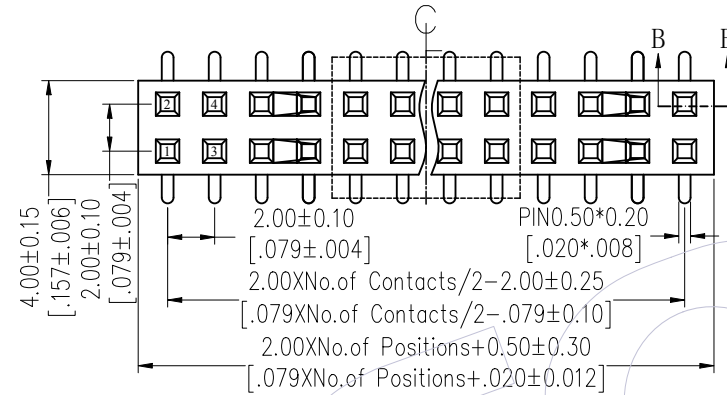
2221-2 XX M XX CUN X X

No. of Pins per Row: 02-40Pin

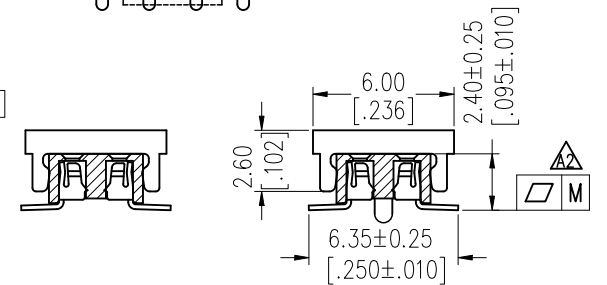
Contact Plating:
 G0=Gold Flash
 G3=10μ"Gold
 G4=15μ"Gold
 G5=30μ"Gold

Packing:
 T=Tube
 P=Tube+CAP
 R=Tape&Reel+CAP

Series No.
 3=Type 1
 4=Type 2



SECTION B-B



TYPE 1 W/O POST

TYPE 2 WITH POST

SECTION A-A

Item	Pitch	Mating
Standard	2.00	1215/1220
Alternate		

Pin(Per Row)	2-15P	16-25P	26-40P
M	0.10	0.15	0.18

TITLE	PART NO.
TYPE 1	2221-2XXMXXCUNX3
TYPE 2	2221-2XXMXXCUNX4

REV	DATE	MODIFICATION DESCRIPTION	CHANGE	OPERATION	DRAW	DATE	SCALE	FIT	PART NO.
A2	2019/01/16	Modify drawing&CAP	-----	x.xx ±0.40	XSR	2019/01/16	UNIT mm		SEE TABLE
A1	2012/10/29	Modify drawing	-----	x.xx ±0.25	CHECK	DATE	SIZE A4		TITLE: 2.0mm Female Header DUAL ROW 180°SMT H=2.1 W=6.35
A0	2012/07/12	NEW	-----	x.xxx ±0.15		DATE	SHEET 1/1		Customer NO.
				Angle ± 3°	APPROVE		PROJ.		
				DIM TOL					

WCON

Http: www.wcon.com

WCON-Dongguan
 Tel: +86 769 85358920
 Fax: +86 769 85358915
 E-mail: sales@wcon.com

WCON-Kunshan
 Tel: +86 512 57468408
 Fax: +86 512 57468468
 E-mail: salesks@wcon.com