

HSF

TECHNICAL SPECS:

Current Rating: 3.0AMP
 Contact Resistance: 10mΩ Max
 Dielectric Strength: Min 1000Vrms
 Mechanical Life: Min 500 cycles
 Mating Pin: $\phi 0.40$ to $\phi 0.66$ mm or 0.50SQ
 Forces: (polished steel gauge $\phi 0.47$ mm)
 Insertion: 200g Max/Pin, Withdrawal: 60g/Pin
 Operation Temperature: -40°C to +105°C

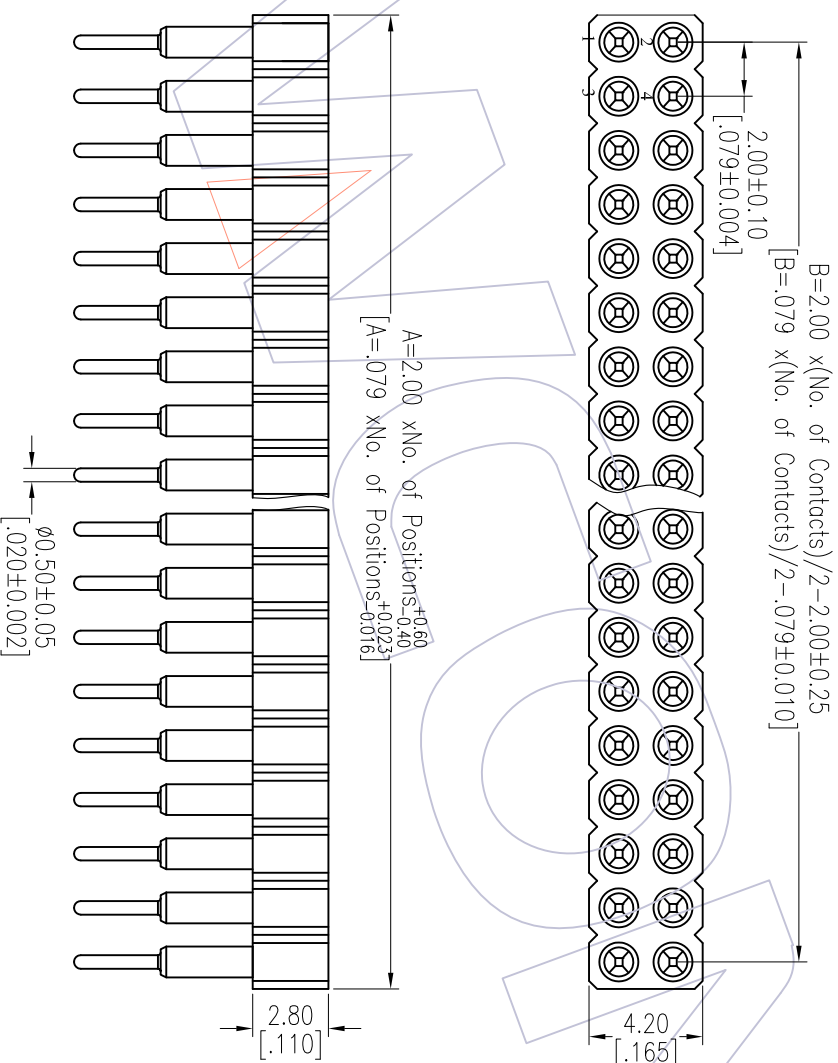
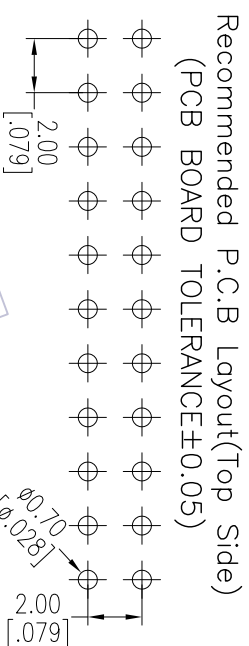
Sleeve: Brass CuZn36Pb3(C36000), Sn over Ni
 Contact Clip: (4 finger): BeCu(C17200), Au or Sn over Ni
 Insulator Material: PPS+30%G.F.(UL94V-0)

Ordering Information

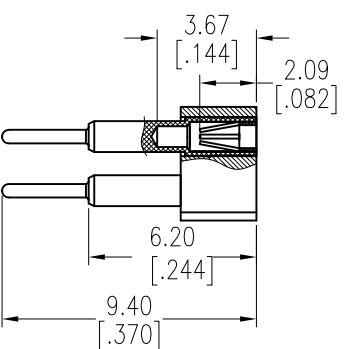
3522-282 XX S XX 094 X 1

No. of Pin 2~40PIN
 Contact Plating S=Gold Flash/Tin
 A=Tray
 T=Tube
 S3=10μ Gold/Tin
 S4=5μ Gold/Tin
 S5=30μ Gold/Tin
 SN=Tin

Item	Pitch	Mating
Standard	2.00	3512
Alternate		



NO. of PIN	DIM A
40PIN	2.0*NO. of Positions + 1.00 ± 0.40
<40PIN	2.0*NO. of Positions - 0.60



OPERATION	DRAW	DATE	SCALE	FIT	PART NO.
XX	Wang	2013/05/17	UNIT	mm	3522-282XXXXX094X1
XX	CHECK	DATE	SIZE	A4	TITLE:
XXXX			1/1		2.00mm MACHINED FEMALE HEADER DUAL ROW 180° H=2.80 L=9.4
Angle	APPROVE	DATE	SHEET	PROJ.	Customer NO.
DM	TOL				
CHANGE					
REV	DATE	MODIFICATION DESCRIPTION			
A1	2013/05/17	Modify drawing			
A0	2012/10/18	NEW			

WCON

Http: www.wcon.com
 WCON-Dongguan
 Tel: +86 769 85358920
 Fax: +86 769 85358915
 E-mail: sales@wcon.com
 WCON-Kunshan
 Tel: +86 512 57468408
 Fax: +86 512 57468468
 E-mail: sales@wcon.com