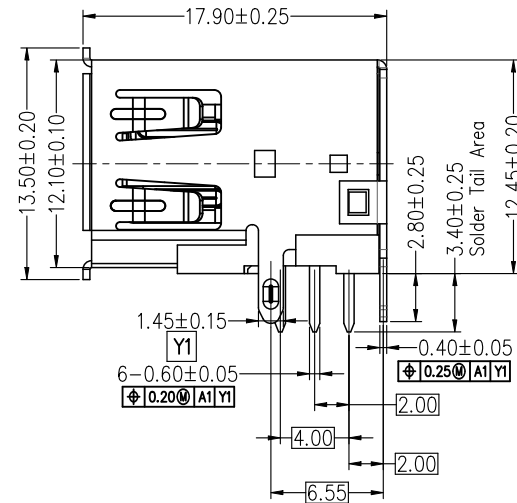
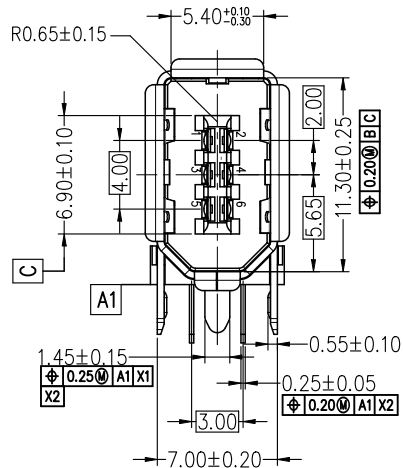


# HSF

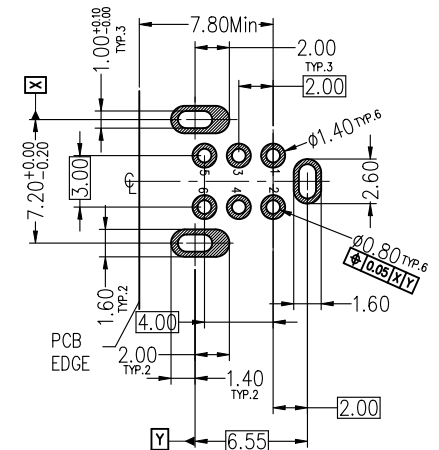
**NOTES:**

1. Rated Current: 1.0A
2. Contact Resistance: 30mΩ max
3. Withstand Voltage: 500V AC/DC
4. Insulation Resistance: 100MΩ min
5. Operation Temperature: -40°C to +85°C
6. Insulator Material: LCP UL94V-0 BK
7. Terminal/Shell Material: Copper Alloy
8. Terminal Finish:
  - XXu"Gold on Contact Area (see ordering information)
  - 80u"Min.Sn on Solder Tails area
  - 50u" Ni underplating overall
9. Shell Finish: 30u"Min,Ni Underplating Over All.
10. Soldering: Solder temperature: 245±3°C  
Solder time: 3-5S



Recommended P.C.B Layout(Top Side)  
(PCB BOARD TOLERANCE±0.03)

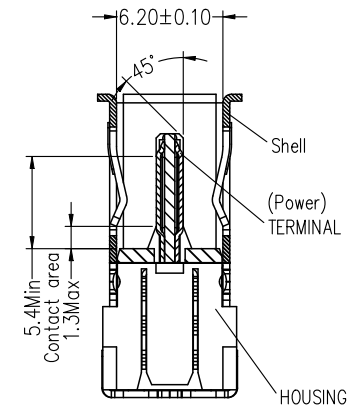
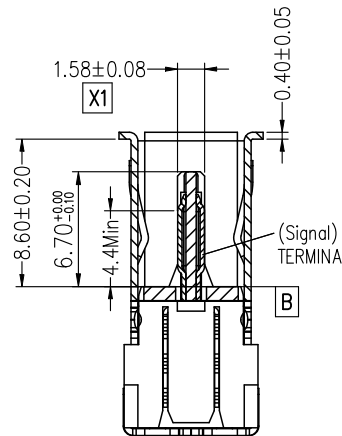
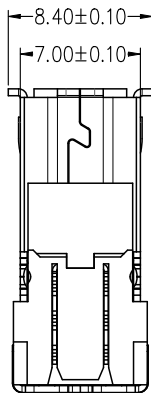
基准面为正面



## Ordering Information

6130 - 06 M D SX D B N A 1

- Pin 06=6P
- Type M=Male
- Join Type D=Slider R/A
- Contact Plating S0=Gold Flash/Tin, S1=3u"Gold/Tin
- Wcon Internal Code
- Package A=Tray
- Post N=W/O
- Insulator Color B=Black
- Plastic Material D=LCP



REV	DATE	MODIFICATION DESCRIPTION	CHANGE	OPERATION	DRAW	DATE	SCALE	FIT	PART NO.
A0	2020/08/18	NEW	Morris	x.x ±0.40	Morris	2020/08/18	UNIT mm		6130-06MDSXBNA1
				x.xx ±0.25	CHECK	DATE	SIZE A4		TITLE: 2.0mm SIC Male Side R/A 6P
				x.xxx ±0.15	APPROVE	DATE	SHEET 1/2		Customer NO.
				Angle ± 3°			PROJ.		
				DIM TOL					

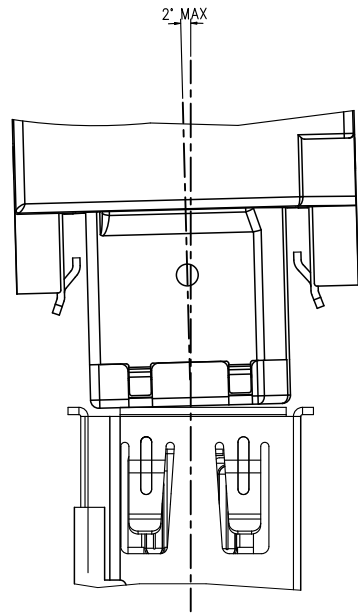
# WCON

Http: www.wcon.com

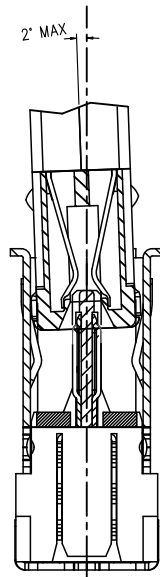
WCON-Dongguan Tel: +86 769 85358920 Fax: +86 769 85358915 E-mail: sales@wcon.com

WCON-Kunshan Tel: +86 512 57468408 Fax: +86 512 57468468 E-mail: salesks@wcon.com

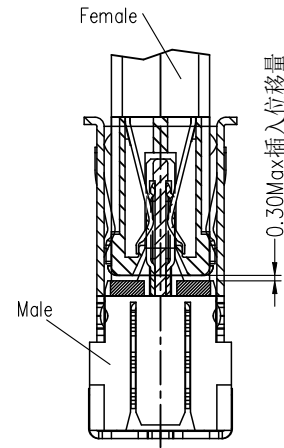
# HSF



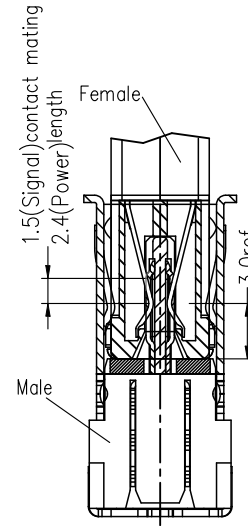
Mated(2)



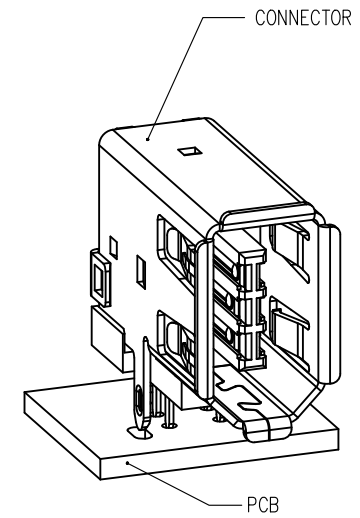
Mated(2)



Mated(1)



Mated(1)



				OPERATION	DRAW	DATE	SCALE	FIT	PART NO.
				x.x ±0.40	Morris	2020/08/18	UNIT	mm	6130-06MDSXDBNA1
				x.xx ±0.25	CHECK	DATE	SIZE	A4	TITLE:
				x.xxx ±0.15	APPROVE	DATE	SHEET	2/2	2.0mm SIC Male Side R/A 6P
A0	2020/08/18	NEW	Morris	Angle ± 3°			PROJ.	⌀	Customer NO.
REV	DATE	MODIFICATION DESCRIPTION	CHANGE	DIM	TOL				

## WCON

Http: [www.wcon.com](http://www.wcon.com)

WCON-Dongguan	WCON-Kunshan
Tel: +86 769 85358920	Tel: +86 512 57468408
Fax: +86 769 85358915	Fax: +86 512 57468468
E-mail: <a href="mailto:sales@wcon.com">sales@wcon.com</a>	E-mail: <a href="mailto:salesks@wcon.com">salesks@wcon.com</a>