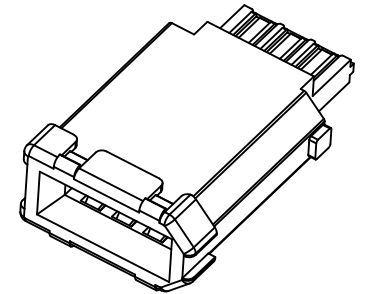
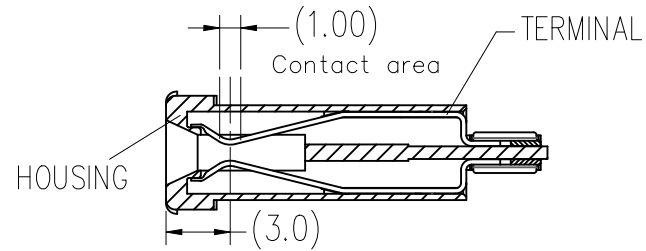
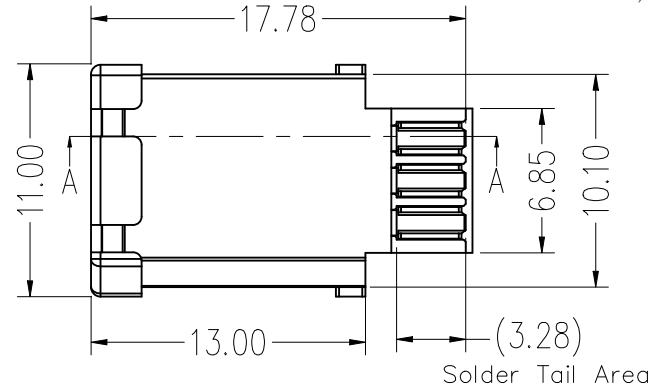
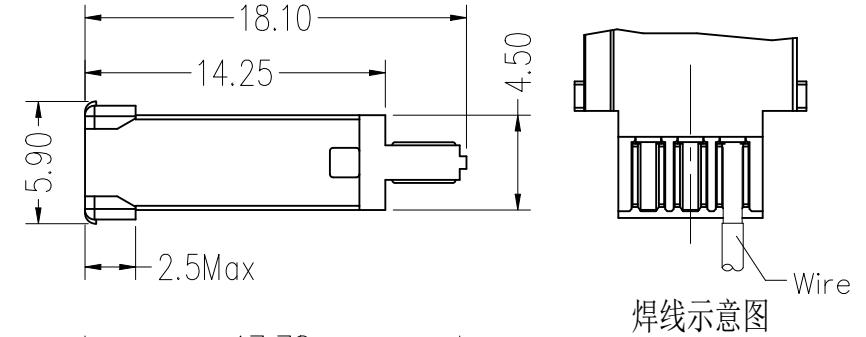
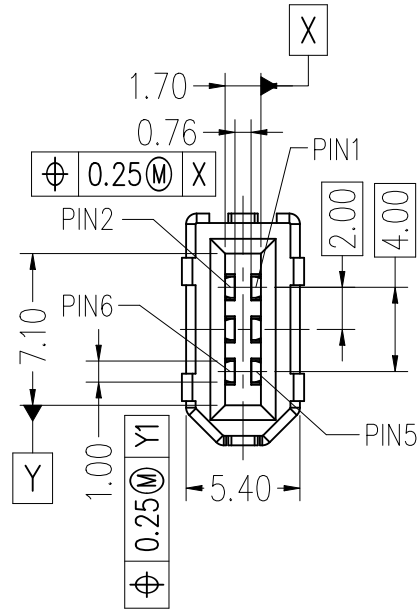


# HSF

## NOTES:

- 1.Current Rating:1.0A ;
- 2.Contact Resistance: 30mΩ Max;
- 3.Withstand Voltage: 500V AC;
- 4.Insulation Resistance: 100MΩ Min;
- 5.Operation Temperature: -40°C to +85°C;
- 6.Insulator Material: PBT,UL94V-0,BK;
- 7.Contact Material: Copper Alloy;
- 8.Contact plating:  
xxμ" Gold on contact area  
(See ordering information),  
80μ" TIN on solder area,  
50μ" Nickel underplating overall;
- 9.Soldering: Solder temperature: 245+/-3°C  
Solder time:3-5 S
- 10.Wire Accommodation:18AWG Max;



## Ordering Information

**B6131 - 06 F S0 A B X 1**

- Pin: 06-6Pin
- Type: F=Female
- Contact Plating: S0=Gold Flash/Tin, S1=3u"Gold/Tin
- Plastic Material: A=PBT
- Insulator Color: B=Black
- Package: 0: PE bag, A: Tray
- Wcon Internal Code: 1

REV	DATE	MODIFICATION DESCRIPTION	CHANGE	OPERATION	DRAW	DATE	SCALE	FIT	PART NO.
				x.x ±0.40	Morris	2021/03/25	UNIT mm		B6131-06FXXABX1
A1	2021/03/25	增加包装方式	-----	x.xx ±0.25	CHECK	DATE	SIZE A4		TITLE: 2.0mm SIC Connector Female Solder Type
A0	2020/05/20	NEW	-----	x.xxx ±0.15			SHEET 1/1		Customer NO.
				Angle ± 3°	APPROVE	DATE	PROJ.		
				DIM TOL					

# WCON

Http: www.wcon.com

WCON-Dongguan Tel: +86 769 85358920 Fax: +86 769 85358915 E-mail: sales@wcon.com

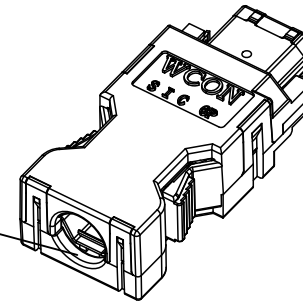
WCON-Kunshan Tel: +86 512 57468408 Fax: +86 512 57468468 E-mail: salesks@wcon.com

HSF

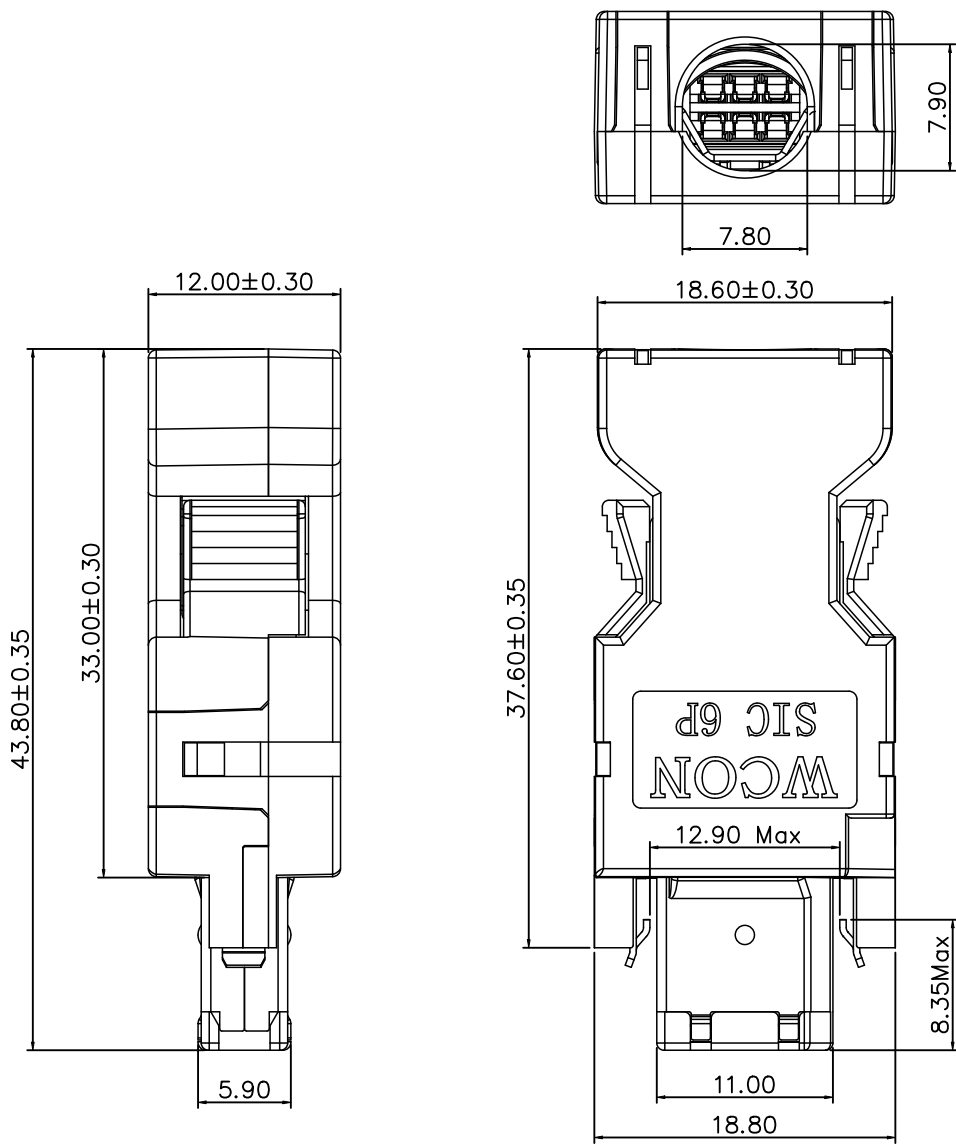
# Ordering Information

6131 - 06 F S0 M A G X 1

Pin 06=6Pin  
 Type F=FeMale  
 Contact Plating S0=Gold Flash/Tin  
 Top/Bottom Shell Material M=SPCC  
 Wcon Internal Code  
 Package 0: PE bag  
 A: Tray  
 Color G=Gray  
 Plas Cover Material A=ABS+PC



绝缘外径 $\phi$ 7.2MAX



(8)	CONNECTOR ASSEMBLY (6PIN)	B6131-06FXXABA1	1	terminal: C5191R-H T=0.25 Plating; contact area Au xx u" (see ordering information) 80 $\mu$ " TIN on solder area, 30 $\mu$ " Nickel underplating overall; housing: PBT+30%GF UL94-V0
(7)	SIDE BUCKLE SHRAPNEL	K6131-06FSH0001	2	SUS T=0.40mm
(6)	SCREW	L6327M-SNI01	2	Steel, M2.0*6.20mm, Plating Ni
(5)	CLAMP	B6327M-014NI01	1	SPCC, T=0.80mm, Plating Ni
(4)	BOTTOM SHELL	M6131-06FMHNI02	1	SPCC T=0.40, Plating Ni
(3)	TOP SHELL	M6131-06FMHNI01	1	SPCC T=0.40, Plating Ni
(2)	PLASTIC BOTTOM COVER	G6131-06FBHCGN1	1	ABS+PC UL94-V0
(1)	PLASTIC TOP COVER	G6131-06FUHCGN1	1	ABS+PC UL94-V0
ITEM	descriptionn	Part Number	quantity	materials

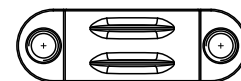
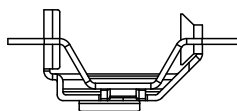
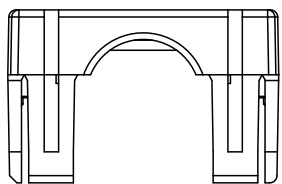
OPERATION	DRAW	DATE	SCALE	FIT	PART NO.	
X.X ±0.40	Morris	2021/03/25	UNIT mm		6131-06FSOMAGX1	
X.XX ±0.25	CHECK	DATE	SIZE A4		TITLE:	
X.XXX ±0.15			SHEET 1/3		2.0mm SIC Connector	
Angle ± 3°	APPROVE	DATE	PROJ.		线端母座焊线式6PIN外壳组件	
DIM TOL					Customer NO.	
REV	DATE	MODIFICATION DESCRIPTION	CHANGE			

**WCON**  
 Http: www.wcon.com

WCON-Dongguan  
 Tel: +86 769 85358920  
 Fax: +86 769 85358915  
 E-mail: sales@wcon.com

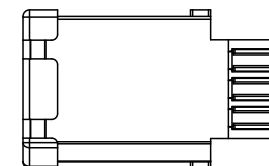
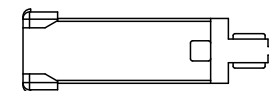
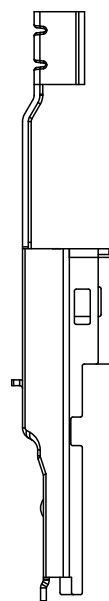
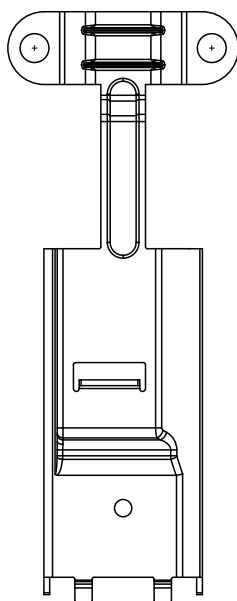
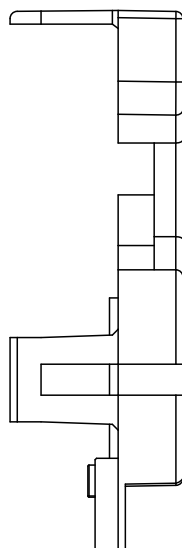
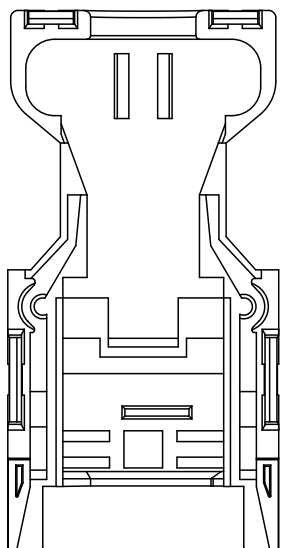
WCON-Kunshan  
 Tel: +86 512 57468408  
 Fax: +86 512 57468468  
 E-mail: salesks@wcon.com

HSF



组件线夹  
(ASSEMBLE CLAMP)

组件螺丝  
(ASSEMBLE SCREW)



组件连接器 (6P)  
(CONNECTOR ASSEMBLY 6P)

组件塑胶上盖  
(PLASTIC TOP COVER ASSEMBLIES)

组件上铁壳  
(ASSEMBLE TOP SHELL)

REV	DATE	MODIFICATION DESCRIPTION	CHANGE	OPERATION	DRAW	DATE	SCALE	FIT	PART NO.
				X.X ±0.40	Morris	2021/03/25	UNIT	mm	6131-06FSOMAGX1
A1	2021/03/25	增加包装方式	Morris	X.XX ±0.25	CHECK	DATE	SIZE	A4	TITLE:
A0	2020/05/20	NEW	Morris	X.XXX ±0.15			SHEET	2/3	2.0mm SIC Connector
				Angle ± 3°	APPROVE	DATE	PROJ.	⌀	线端母座焊线式6PIN外壳组件
				DIM TOL					Customer NO.

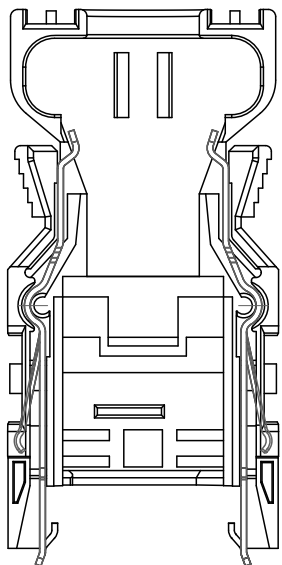
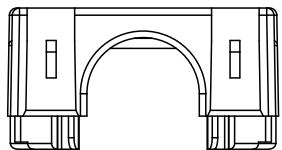
**WCON**

Http: www.wcon.com

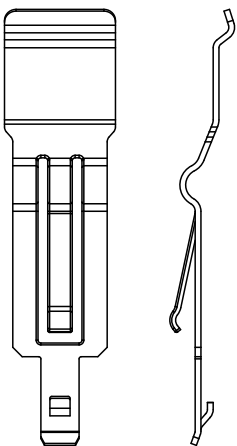
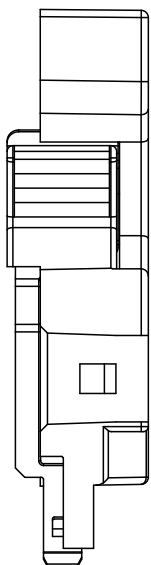
WCON-Dongguan  
Tel: +86 769 85358920  
Fax: +86 769 85358915  
E-mail: sales@wcon.com

WCON-Kunshan  
Tel: +86 512 57468408  
Fax: +86 512 57468468  
E-mail: sales@wcon.com

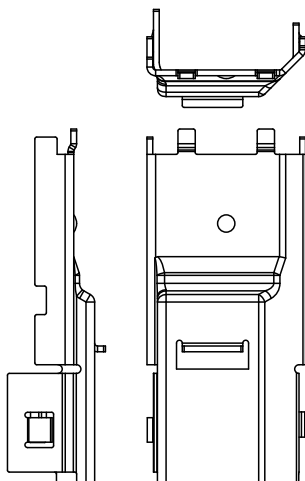
HSF



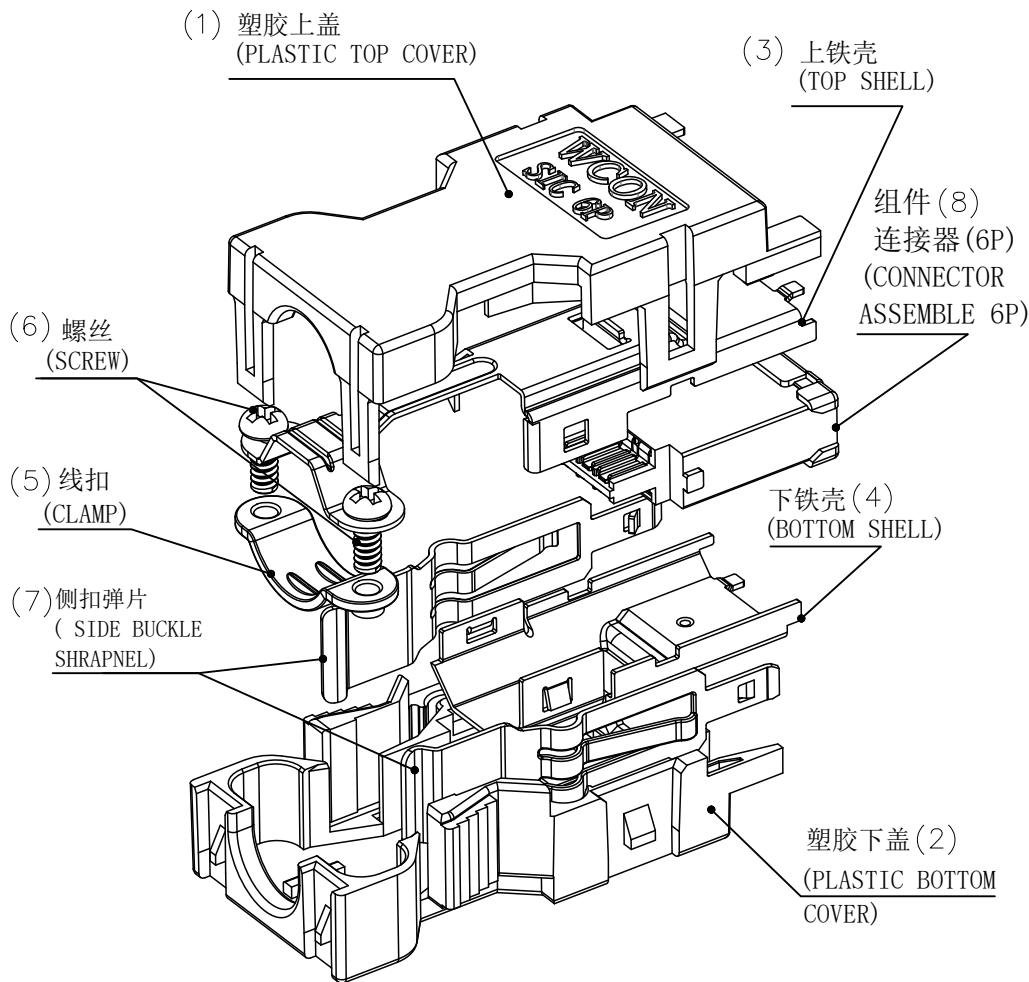
塑胶下盖组合件  
(PLASTIC BOTTOM COVER ASSEMBLIES)



组件侧扣弹片  
(ASSEMBLE SIDE  
BUCKLE SHRAPNEL)



组件下铁壳  
(ASSEMBLE BOTTOM SHELL)



3D组装示意图  
3D ASSEMBLY SKETCH

REV	DATE	MODIFICATION DESCRIPTION	CHANGE	OPERATION	DRAW	DATE	SCALE	FIT	PART NO.
A1	2021/03/25	增加包装方式	Morris	X.X ±0.40	Morris	2021/03/25	UNIT	mm	6131-06FSOMAG1
A0	2020/05/20	NEW	Morris	X.XX ±0.25	CHECK	DATE	SIZE	A4	TITLE: 2.0mm SIC Connector 线端母座焊线式6PIN外壳组件
				X.XXX ±0.15	APPROVE	DATE	SHEET	3/3	Customer NO.
				Angle ± 3°			PROJ.		
				DIM TOL					

**WCON**  
Http: www.wcon.com

WCON-Dongguan  
Tel: +86 769 85358920  
Fax: +86 769 85358915  
E-mail: sales@wcon.com

WCON-Kunshan  
Tel: +86 512 57468408  
Fax: +86 512 57468468  
E-mail: sales@wcon.com