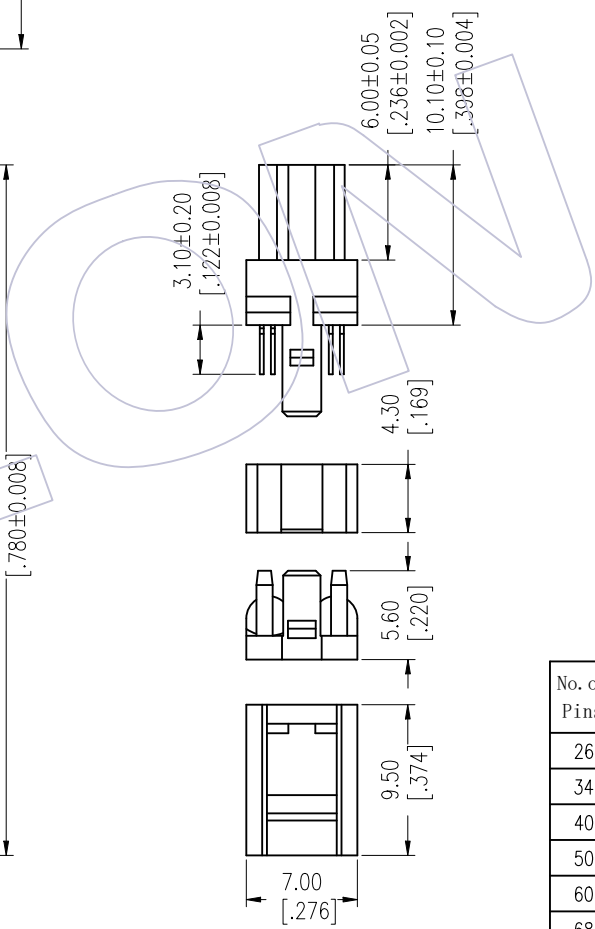
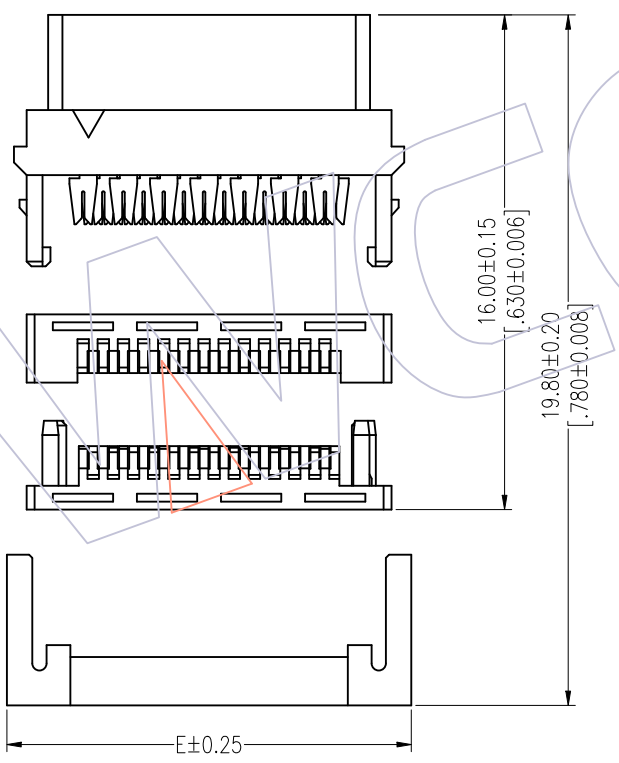
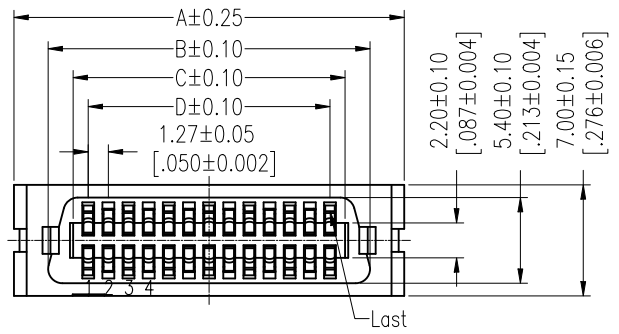


HSF

NOTES:
 Current Rating: 0.5AMP
 Contact Resistance: 35mΩ Max
 Withstand Voltage: 500V AC/DC
 Insulation Resistance: 500MΩ Min
 Operation Temperature: -65°C to +125°C

Contact Material: Phosphor Bronze
 Contact plating: Au Or Sn over Ni
 Insulator Material: PBT+30%G.F UL94V-0



Ordering Information

6322D-XXX S I XX PN A 02

No. of Pins	Contact Plating	Packing
26 50	S1=3u"Gold/Tin	A=Tray
34 60	S3=10u"Gold/Tin	T=Tube
40 68	S4=15u"Gold/Tin	
	S5=30u"Gold/Tin	

Item	Pitch	Mating
Standard	1.27	6320D
Alternate		

No. of Pins	Dimension				
	A	B	C	D	E
26	24.60	20.29	17.14	15.24	25.49
34	29.68	25.37	22.22	20.32	30.57
40	33.49	29.18	26.03	24.13	34.38
50	39.84	35.53	32.38	30.48	40.73
60	46.19	41.88	38.73	36.83	47.08
68	51.27	46.96	43.81	41.91	52.16

				OPERATION	DRAW	DATE	SCALE	FIT	PART NO.
				x.x ±0.40	JYHuang	2015/12/08	UNIT	mm	6322D-XXXSIXXPNA02
				x.xx ±0.25	CHECK	DATE	SIZE	A4	TITLE:
				x.xxx ±0.15	APPROVE	DATE	SHEET	1/1	1.27mm SCSI SOCKET IDC TYPE
A0	2015/12/08		NEW	Angle ± 3°			PROJ.		CEN-TYPE, FOUR PARTS (W/O BUMP)
REV	DATE		MODIFICATION DESCRIPTION	DIM TOL					Customer NO.

WCON
 Http: www.wcon.com
 WCON-Dongguan Tel: +86 769 85358920
 WCON-Kunshan Tel: +86 512 57468408
 Fax: +86 769 85358915
 Fax: +86 512 57468468
 E-mail: sales@wcon.com
 E-mail: salesks@wcon.com