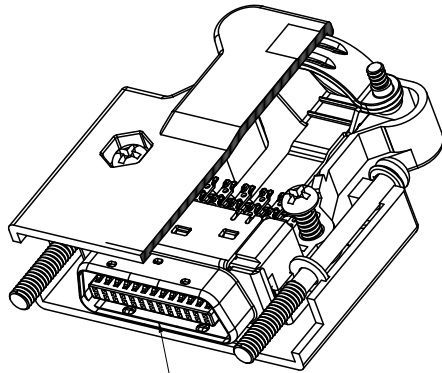
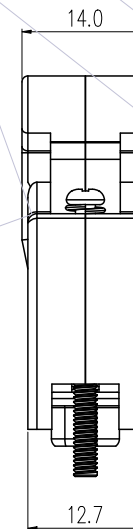
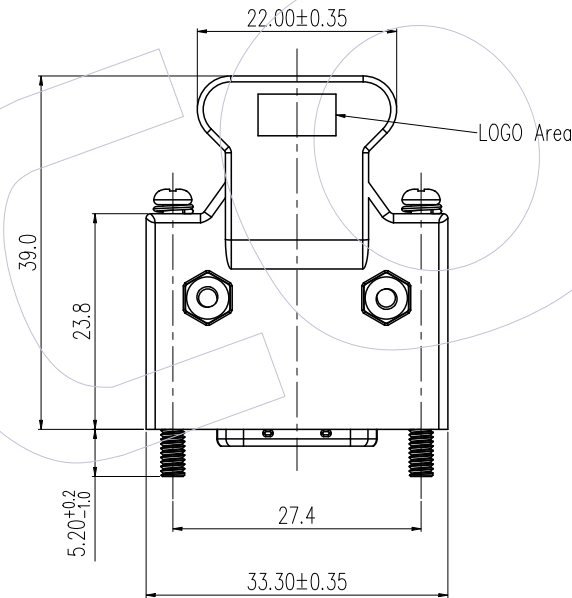
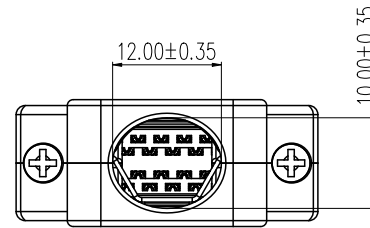


HSF



WCON CONNECTOR PN: 6320M-020SSXXMNA01



Ordering Information

6327M- 020 S 00 P A 01 W


NO. of pins
20P

Contact Plating
00=NO contact

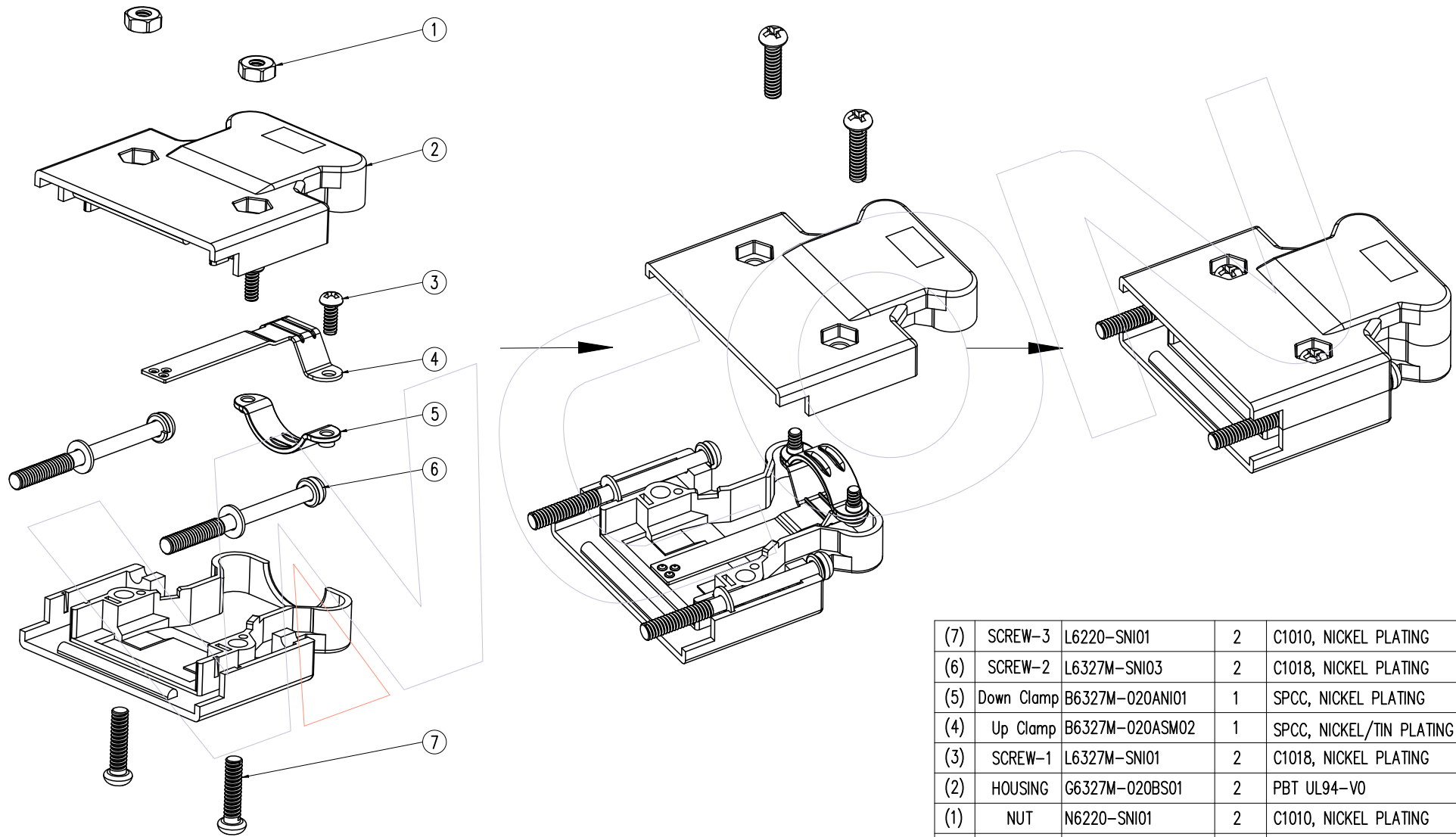
Shell material
P=Plastic

Packing
A=TRAY


LOGO
Blank=Without
W=WCON

				OPERATION		DRAW XSR	DATE	SCALE	FIT	PART NO. 6327M-020S00PA01(W)	 Http: www.wcon.com WCON-Dongguan Tel: +86 769 85358920 WCON-Kunshan Tel: +86 512 57468408 Fax: +86 769 85358915 Fax: +86 512 57468468 E-mail: sales@wcon.com E-mail: salesks@wcon.com		
				X.X	±0.40		DATE	UNIT	mm				TITLE: 1.27mm SCSI MALE SHELL W/SCREW TYPE LOCK
				X.XX	±0.25		DATE	inch	A4				
A0	2019.11.21	NEW		X.XXX	±0.15	APPROVE	DATE	SHEET	1/3	Customer NO.			
REV	DATE	MODIFICATION DESCRIPTION	CHANGE	Angle	± 3°			PROJ.					
				DIM	TOL								

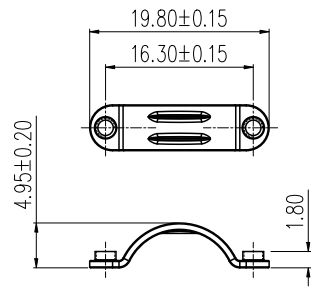
HSF



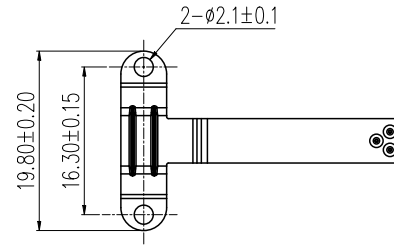
(7)	SCREW-3	L6220-SNI01	2	C1010, NICKEL PLATING
(6)	SCREW-2	L6327M-SNI03	2	C1018, NICKEL PLATING
(5)	Down Clamp	B6327M-020ANI01	1	SPCC, NICKEL PLATING
(4)	Up Clamp	B6327M-020ASM02	1	SPCC, NICKEL/TIN PLATING
(3)	SCREW-1	L6327M-SNI01	2	C1018, NICKEL PLATING
(2)	HOUSING	G6327M-020BS01	2	PBT UL94-V0
(1)	NUT	N6220-SNI01	2	C1010, NICKEL PLATING
ITEM	Description	P/N	QTY	Material

REV		DATE	MODIFICATION DESCRIPTION	CHANGE	OPERATION		DRAW	DATE	SCALE	FIT	PART NO. 6327M-020S00PA01(W)	TITLE: 1.27mm SCSI MALE SHELL W/SCREW TYPE LOCK	 Http: www.wcon.com WCON-Dongguan WCON-Kunshan Tel: +86 769 85358920 Tel: +86 512 57468408 Fax: +86 769 85358915 Fax: +86 512 57468468 E-mail: sales@wcon.com E-mail: salesks@wcon.com	
A0	2019.11.21		NEW		X.X	±0.40	XSR	2019.11.21	UNIT	mm				
					X.XX	±0.25	CHECK	DATE	SIZE	inch	Customer NO.			
					X.XXX	±0.15	APPROVE	DATE	SHEET	A4				
					Angle	± 3'			PROJ.	2/3				
					DIM	TOL								

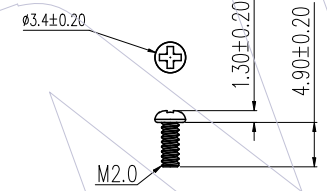
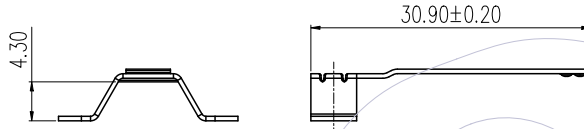
HSF



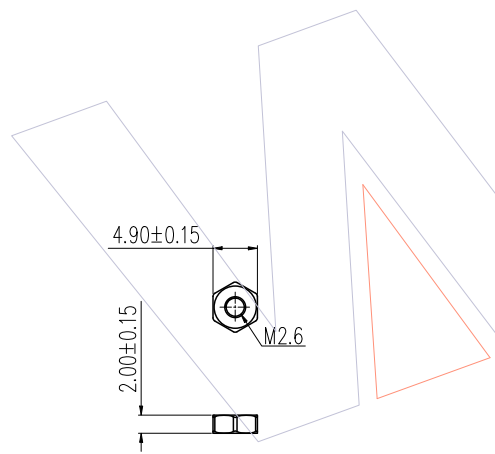
Down Clamp



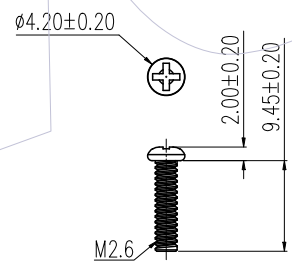
Up Clamp



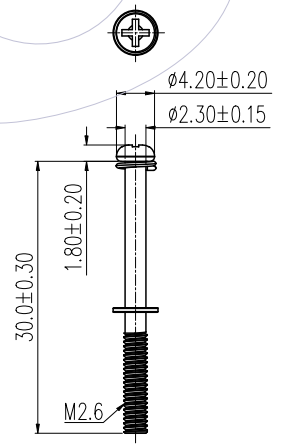
SCREW-1



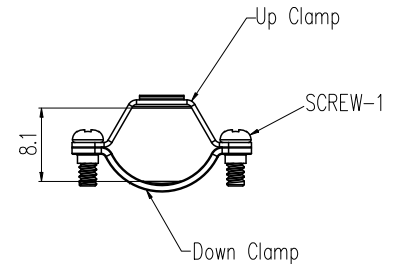
NUT



SCREW-3



SCREW-2



				OPERATION	DRAW	DATE	SCALE	FIT	PART NO. 6327M-020S00PA01(W)
			X.X	±0.40	XSR	2019.11.21	UNIT	mm	
			X.XX	±0.25	CHECK	DATE	SIZE	inch	
			X.XXX	±0.15	APPROVE	DATE	SHEET	A4	
A0	2019.11.21	NEW		Angle	± 3°		PROJ.	3/3	TITLE: 1.27mm SCSI MALE SHELL W/SCREW TYPE LOCK
REV	DATE	MODIFICATION DESCRIPTION	CHANGE	DIM	TOL				Customer NO.

WCON
Http: www.wcon.com

WCON-Dongguan Tel: +86 769 85358920 Fax: +86 769 85358915 E-mail: sales@wcon.com
WCON-Kunshan Tel: +86 512 57468408 Fax: +86 512 57468468 E-mail: salesks@wcon.com