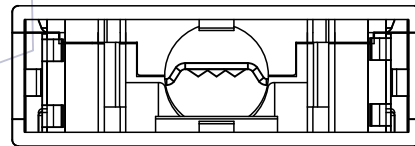
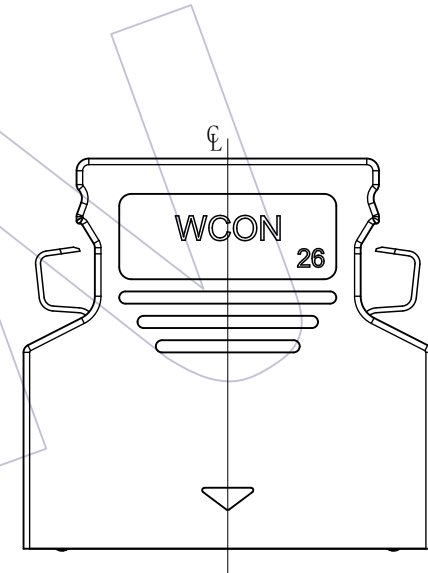
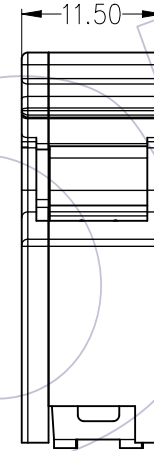
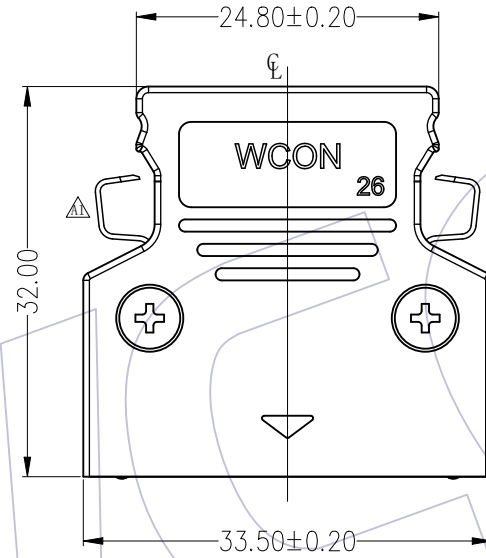
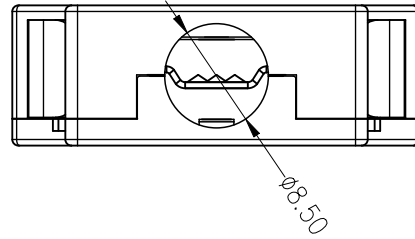


HSF



Ordering Information

6328M- 026 S 00 M 0 01 W

NO.of pins 26P
 Contact Plating 00=NO contact
 Shell material M=Metal
 Wcon Internal Code: 01
 Packing 0=BAG
 W=W/T WCON

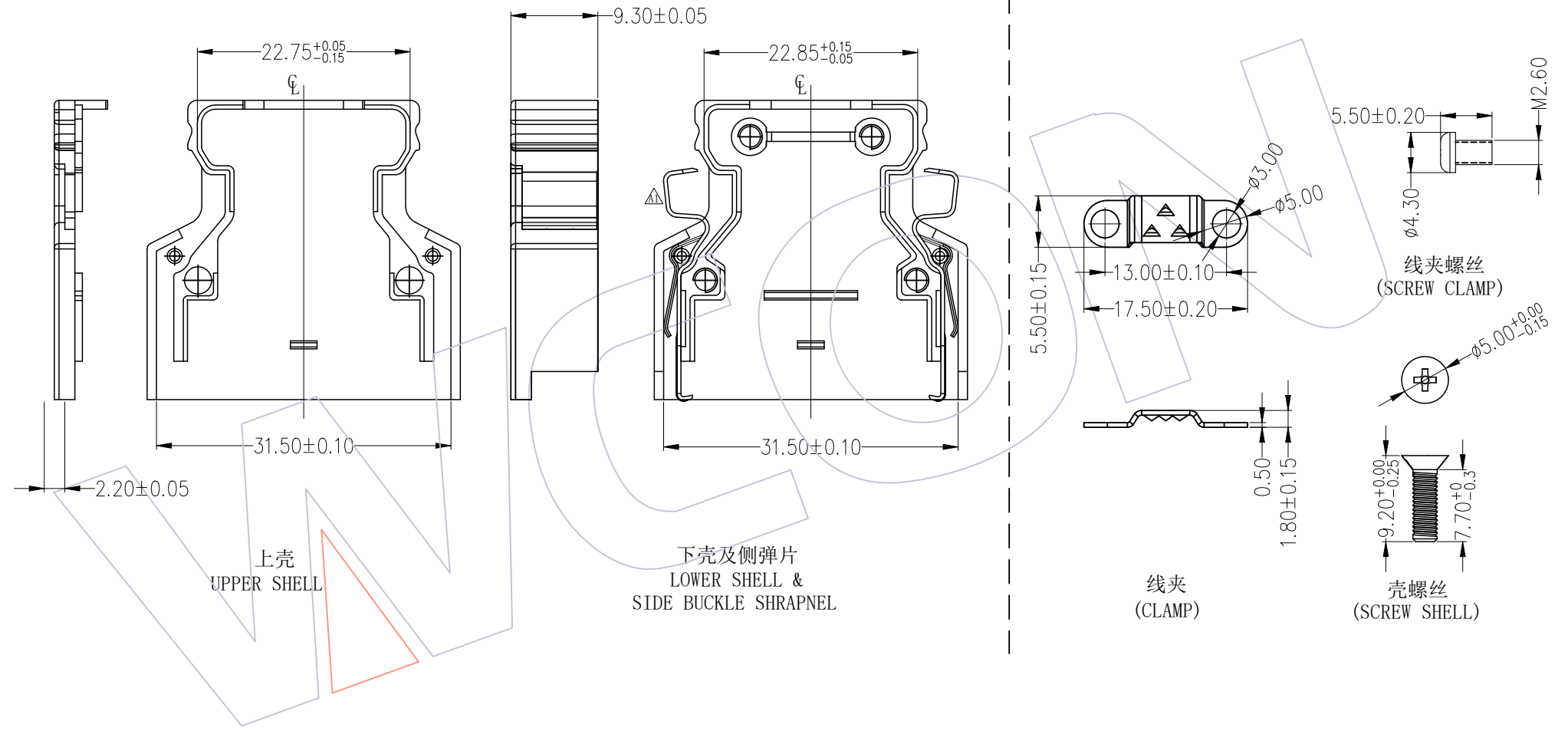
(6)	LOWER SHELL	M6328M-026SNI02W	1	锌合金, 镀高磷镍
(5)	SIDE BUCKLE SHRAPNEL	K6328M-SM002 Δ	2	SUS,T=0.40mm
(4)	CLAMP	B6326-020PNI01	1	C5191-H,Plating Ni
(3)	SCREW CLAMP	L6326-SNI01	2	SUS,M2.6,Plating Ni
(2)	SCREW SHELL	L6328M-SNI01	2	SUS,M2.6,Plating Ni
(1)	UPPER SHELL	M6328M-026SNI01W	1	锌合金, 镀高磷镍
ITEM	DESCRIPTION	P/N	Q'TY	MATERIALS

REV	DATE	MODIFICATION DESCRIPTION	CHANGE	OPERATION	DRAW	DATE	SCALE	FIT	PART NO.
A1	2023/10/24	Modify	/	X.X ±0.40	NYF	2023/10/24	UNIT mm		6328M-026S00M01W
A0	2022/03/03	NEW	/	X.XX ±0.25	CHECK	DATE	SIZE A4		TITLE: SCSI ASSEMBLE(26PIN) (6PCS)
				X.XXX ±0.15	APPROVE	DATE	SHEET 1/3		Customer NO.
				Angle ± 3°			PROJ.		
				DIM TOL					

WCON
Http: www.wcon.com

WCON-Dongguan Tel: +86 769 85358920 Fax: +86 769 85358915 E-mail: sales@wcon.com	WCON-Kunshan Tel: +86 512 57468408 Fax: +86 512 57468468 E-mail: sales@wcon.com
---	--

HSF

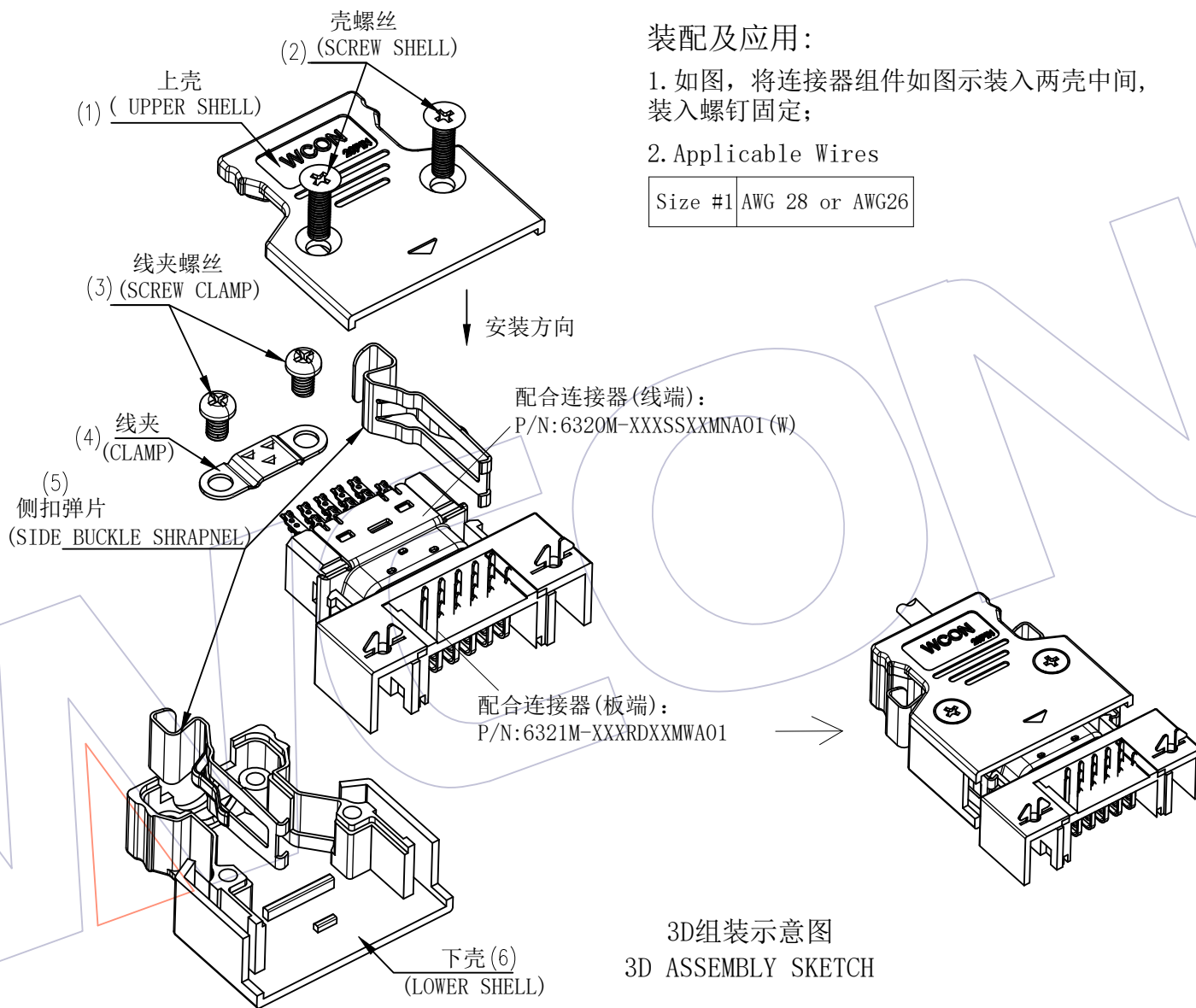


REV	DATE	MODIFICATION DESCRIPTION	CHANGE	OPERATION		DRAW	DATE	SCALE	FIT	PART NO.	TITLE:	Customer NO.
				X.X	±0.40							
A1	2023/10/24	Modify	/	X.XX	±0.25	CHECK	DATE	SIZE	A4	SCSI ASSEMBLE(26PIN) (6PCS)		
A0	2022/03/03	NEW	/	X.XXX	±0.15	APPROVE	DATE	SHEET	2/3			
				Angle	± 3°			PROJ.	⌀			
				DIM	TOL							

WCON
Http: www.wcon.com

WCON-Dongguan Tel: +86 769 85358920
WCON-Kunshan Tel: +86 512 57468408
Fax: +86 769 85358915 Fax: +86 512 57468468
E-mail: sales@wcon.com E-mail: salesks@wcon.com

HSF



装配及应用:

1. 如图, 将连接器组件如图示装入两壳中间, 装入螺钉固定;

2. Applicable Wires

Size #1 AWG 28 or AWG26

3D组装示意图
3D ASSEMBLY SKETCH

REV	DATE	MODIFICATION DESCRIPTION	CHANGE	OPERATION	DRAW	DATE	SCALE	FIT	PART NO.
A1	2023/10/24	Modify	/	X.X ±0.40	NYF	2023/10/24	UNIT	mm	6328M-026S00M001W
A0	2022/03/03	NEW	/	X.XX ±0.25	CHECK	DATE	SIZE	A4	TITLE: SCSI ASSEMBLE(26PIN) (6PCS)
				X.XXX ±0.15	APPROVE	DATE	SHEET	3/3	Customer NO.
				Angle ± 3°			PROJ.		
				DIM TOL					

WCON
Http: www.wcon.com

WCON-Dongguan Tel: +86 769 85358920
WCON-Kunshan Tel: +86 512 57468408
Fax: +86 769 85358915 Fax: +86 512 57468468
E-mail: sales@wcon.com E-mail: sales@wcon.com