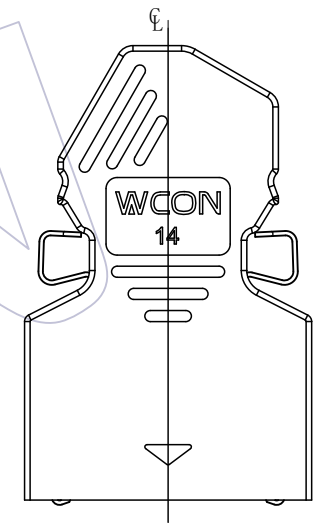
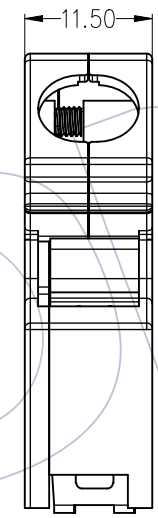
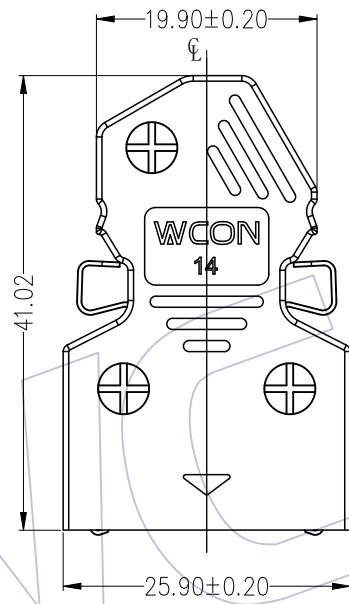
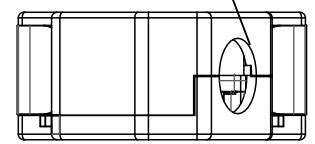


HSF

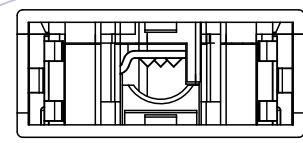
电线穿孔  
外径 $\phi 10.90\text{MAX}$



### Ordering Information

6329M- 014 S 00 M 0 01 W

NO.of pins 14P  
Contact Plating 00=NO contact  
Shell material M=Metal  
Wcon Internal Code: 01  
Packing 0=BAG  
W=W/T WCON



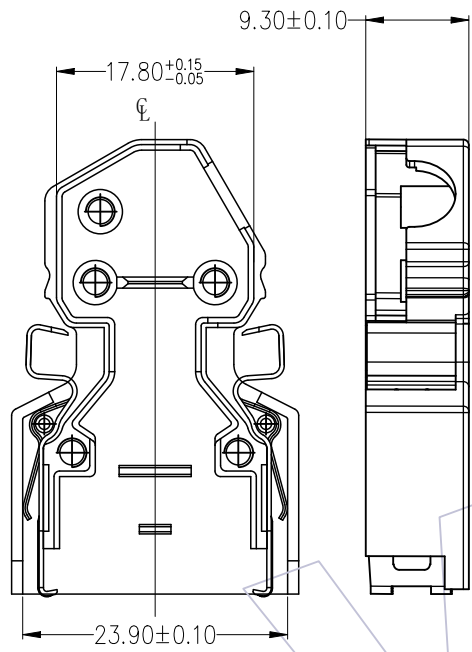
(6)	LOWER SHELL	M6329M-014SNI02W	1	锌合金, 镀高磷镍
(5)	SIDE BUCKLE SHRAPNEL	K6328M-SM001	2	SUS,T=0.40mm
(4)	CLAMP	B6326-014PNI01	1	C5191-H,Plating Ni
(3)	SCREW CLAMP	L6326-SNI01	2	SUS,M2.6,Plating Ni
(2)	SCREW SHELL	L6328M-SNI01	3	SUS,M2.6,Plating Ni
(1)	UPPER SHELL	M6329M-014SNI01W	1	锌合金, 镀高磷镍
ITEM	DESCRIPTION	P/N	Q'TY	MATERIALS

OPERATION		DRAW		DATE		SCALE		FIT		PART NO.	
X.X	±0.40	XSR		2022/03/03		UNIT		mm		6329M-014S00M01W	
X.XX	±0.25	CHECK		DATE		SIZE		A4		TITLE:	
X.XXX	±0.15	APPROVE		DATE		SHEET		1/3		SCSI ASSEMBLE(14PIN) (6PCS)	
Angle	± 3°					PROJ.		Customer NO.			
DIM	TOL										
REV	DATE	MODIFICATION DESCRIPTION		CHANGE							

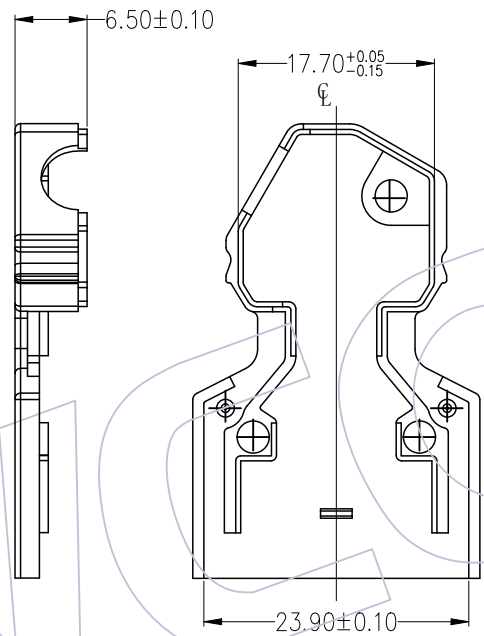
**WCON**  
Http: www.wcon.com

WCON-Dongguan      WCON-Kunshan  
Tel: +86 769 85358920      Tel: +86 512 57468408  
Fax: +86 769 85358915      Fax: +86 512 57468468  
E-mail: sales@wcon.com      E-mail: sales@wcon.com

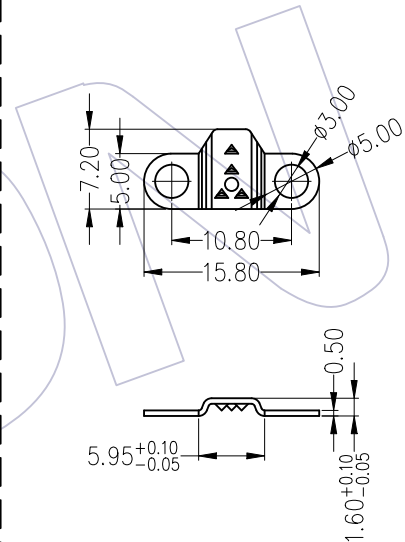
HSF



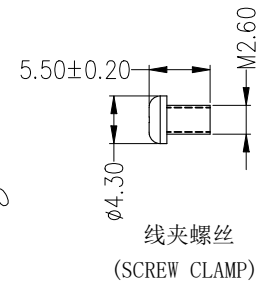
下壳及侧弹片  
LOWER SHELL &  
SIDE BUCKLE SHRAPNEL



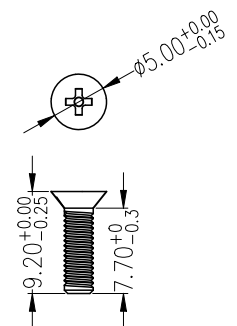
上壳  
UPPER SHELL



线夹  
(CLAMP)



线夹螺丝  
(SCREW CLAMP)



壳螺丝  
(SCREW SHELL)

				OPERATION	DRAW	DATE	SCALE	FIT	PART NO.
				X.X ±0.40	XSR	2022/03/03	UNIT	mm	6329M-014S00M001W
				X.XX ±0.25	CHECK	DATE	SIZE	A4	TITLE:
				X.XXX ±0.15			SHEET	2/3	SCSI ASSEMBLE(14PIN) (6PCS)
A0	2022/03/03	NEW	/	Angle ± 3°	APPROVE	DATE	PROJ.	⊕	Customer NO.
REV	DATE	MODIFICATION DESCRIPTION	CHANGE	DIM TOL					

**WCON**  
Http: www.wcon.com

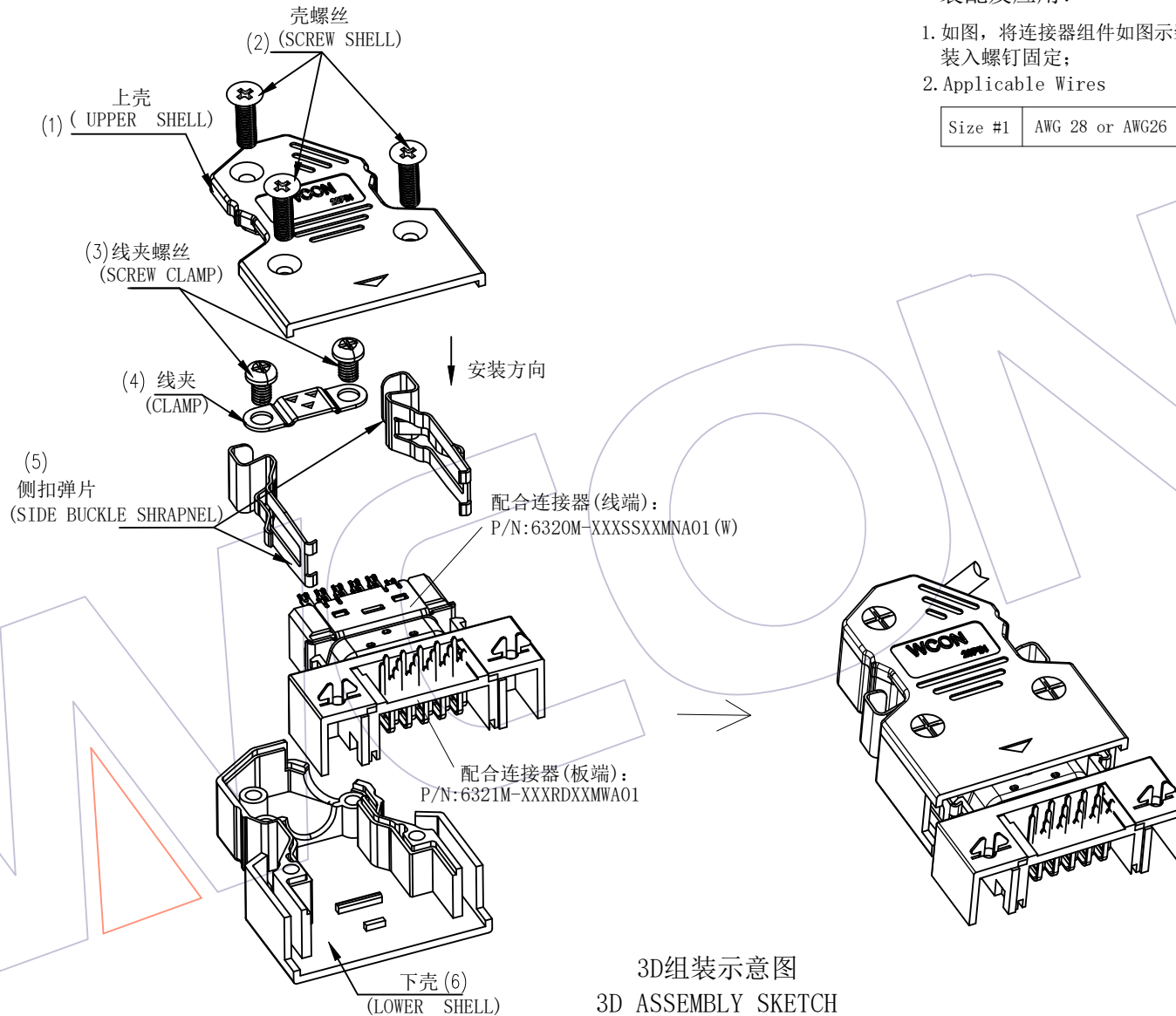
WCON-Dongguan Tel: +86 769 85358920  
WCON-Kunshan Tel: +86 512 57468408  
Fax: +86 769 85358915 Fax: +86 512 57468468  
E-mail: sales@wcon.com E-mail: sales@wcon.com

HSF

装配及应用:

1. 如图, 将连接器组件如图所示装入两壳中间, 装入螺钉固定;
2. Applicable Wires

Size #1	AWG 28 or AWG26
---------	-----------------



				OPERATION	DRAW	DATE	SCALE	FIT	PART NO.
				X.X ±0.40	XSR	2022/03/03	UNIT	mm	6329M-014S00M001W
				X.XX ±0.25	CHECK	DATE	SIZE	A4	TITLE:
A0	2022/03/03	NEW	/	X.XXX ±0.15	APPROVE	DATE	SHEET	3/3	SCSI ASSEMBLE(14PIN) (6PCS)
REV	DATE	MODIFICATION	DESCRIPTION	CHANGE	Angle ± 3°	DATE	PROJ.	Customer NO.	
					DIM TOL				

**WCON**  
Http: www.wcon.com

WCON-Dongguan Tel: +86 769 85358920 Fax: +86 769 85358915 E-mail: sales@wcon.com	WCON-Kunshan Tel: +86 512 57468408 Fax: +86 512 57468468 E-mail: sales@wcon.com
---	--