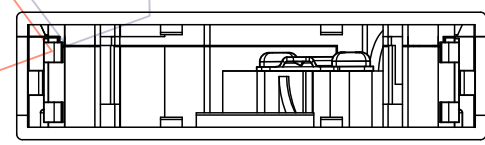
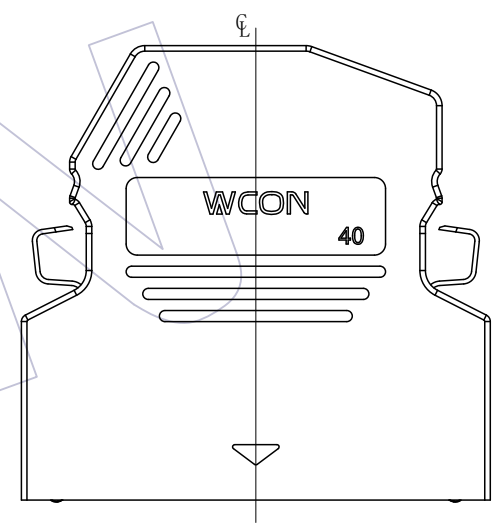
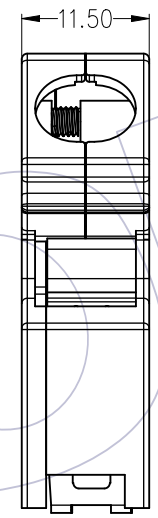
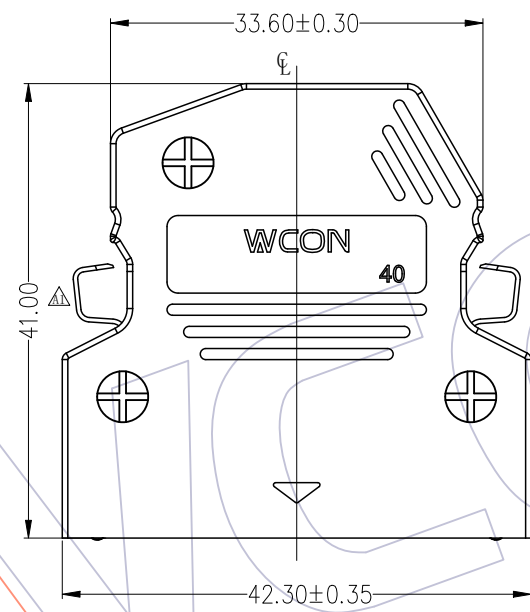
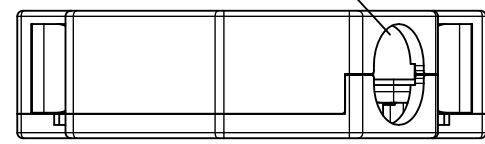


HSF

电线穿孔  
外径 $\phi 10.90\text{MAX}$



### Ordering Information

6329M- 040 S 00 M 0 01 W

NO.of pins 40P  
Contact Plating 00=NO contact  
Shell material M=Metal  
Wcon Internal Code: 01  
Packing 0=BAG  
W=W/T WCON

(6)	LOWER SHELL	M6329M-040SNI02W	1	锌合金, 镀高磷镍
(5)	SIDE BUCKLE SHRAPNEL	K6328M-SM002 $\Delta$	2	SUS,T=0.40mm
(4)	CLAMP	B6326-020PNI01	1	C5191-H,Plating Ni
(3)	SCREW CLAMP	L6326-SNI01	2	SUS,M2.6,Plating Ni
(2)	SCREW SHELL	L6328M-SNI01	3	SUS,M2.6,Plating Ni
(1)	UPPER SHELL	M6329M-040SNI01W	1	锌合金, 镀高磷镍
ITEM	DESCRIPTION	P/N	Q'TY	MATERIALS

REV	DATE	MODIFICATION DESCRIPTION	CHANGE
A1	2023/10/25	Modify	/
A0	2022/03/03	NEW	/

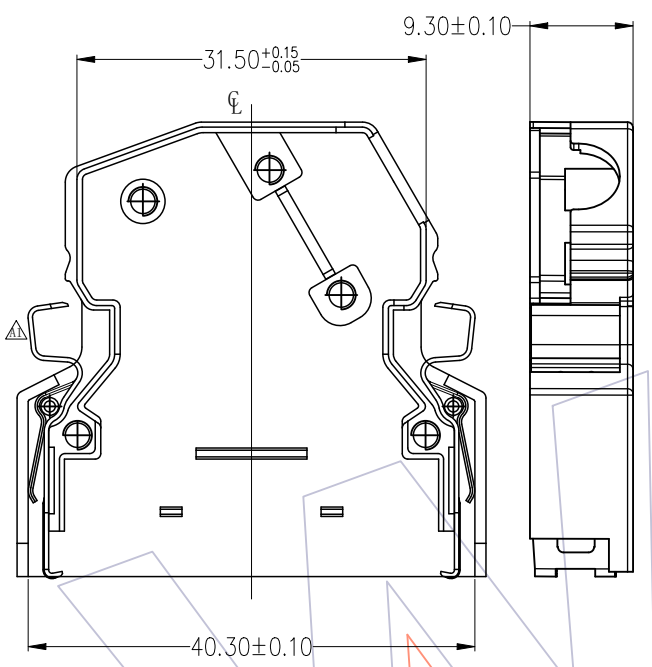
OPERATION	SCALE	FIT
X.X $\pm 0.40$	UNIT mm	
X.XX $\pm 0.25$	SIZE A4	
X.XXX $\pm 0.15$	SHEET 1/3	
Angle $\pm 3^\circ$	PROJ.	$\phi$
DIM TOL		

DRAW	DATE
NYF	2023/10/25
CHECK	DATE
APPROVE	DATE

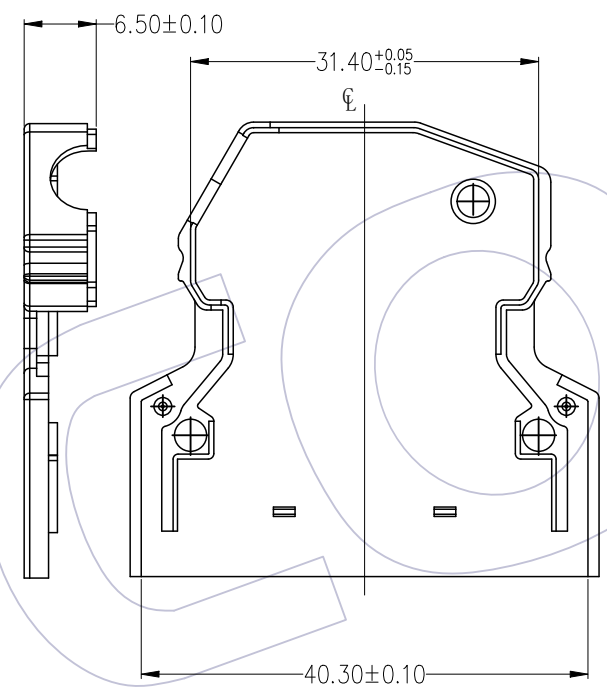
PART NO.	TITLE:
6329M-040S00M01W	SCSI ASSEMBLE(40PIN) (6PCS)
Customer NO.	

WCON	
Http: www.wcon.com	
WCON-Dongguan Tel: +86 769 85358920 Fax: +86 769 85358915 E-mail: sales@wcon.com	WCON-Kunshan Tel: +86 512 57468408 Fax: +86 512 57468468 E-mail: sales@wcon.com

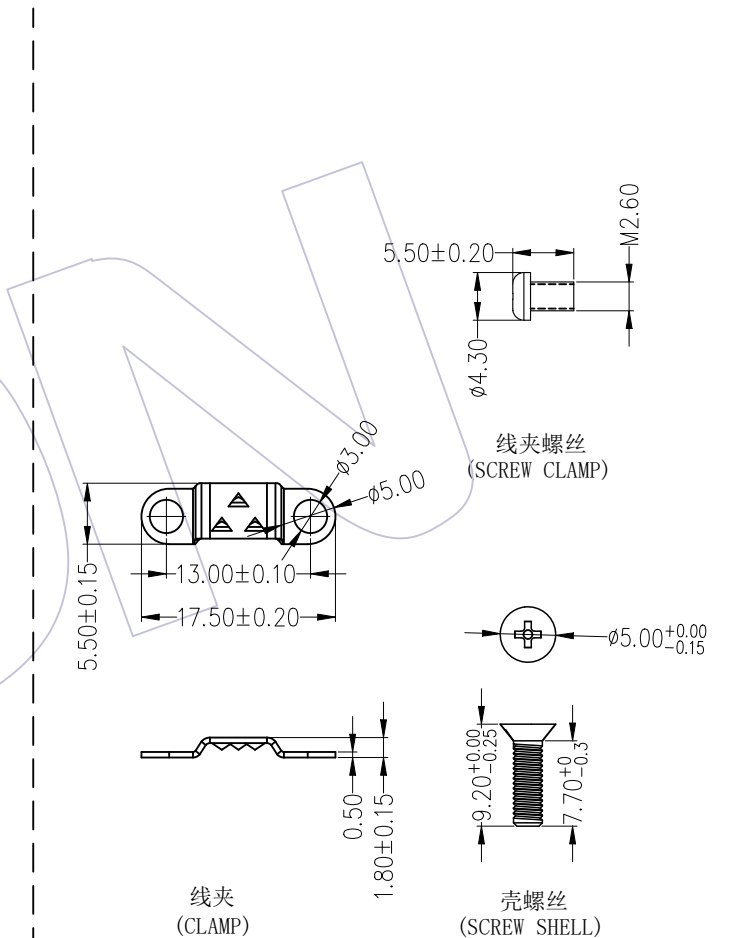
HSF



下壳及侧弹片  
LOWER SHELL &  
SIDE BUCKLE SHRAPNEL



上壳  
UPPER SHELL



线夹  
(CLAMP)

壳螺丝  
(SCREW SHELL)

线夹螺丝  
(SCREW CLAMP)

REV	DATE	MODIFICATION DESCRIPTION	CHANGE
A1	2023/10/25	Modify	/
A0	2022/03/03	NEW	/

OPERATION	
X.X	±0.40
X.XX	±0.25
X.XXX	±0.15
Angle	± 3°
DIM	TOL

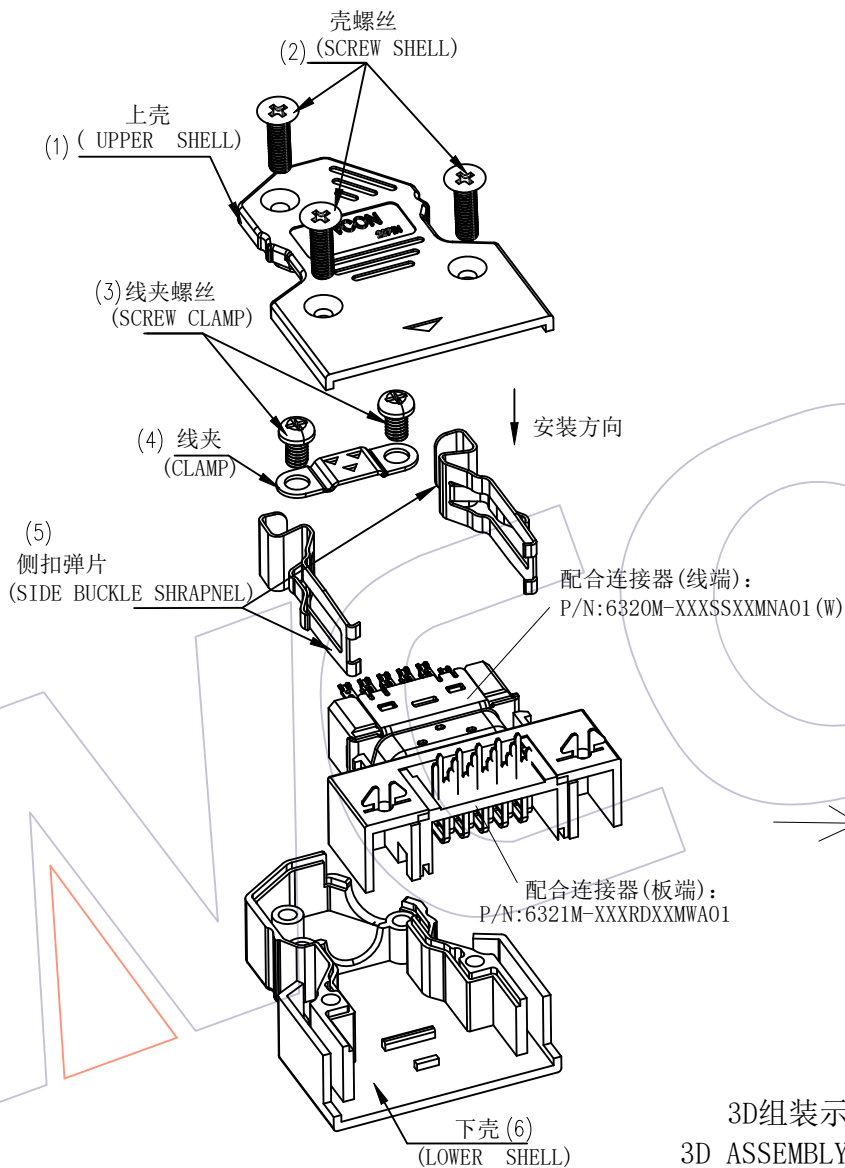
DRAW	DATE	SCALE	FIT
NYF	2023/10/25	UNIT mm	
CHECK	DATE	SIZE A4	
APPROVE	DATE	SHEET 2/3	
		PROJ.	

PART NO.	TITLE:	Customer NO.
6329M-040S00M001W	SCSI ASSEMBLE(40PIN) (6PCS)	

**WCON**  
Http: www.wcon.com

WCON-Dongguan Tel: +86 769 85358920 Fax: +86 769 85358915 E-mail: sales@wcon.com	WCON-Kunshan Tel: +86 512 57468408 Fax: +86 512 57468468 E-mail: salesks@wcon.com
---	--

HSF



装配及应用:

1. 如图, 将连接器组件如图所示装入两壳中间, 装入螺钉固定;
2. Applicable Wires

Size #1	AWG 28 or AWG26
---------	-----------------

3D组装示意图  
3D ASSEMBLY SKETCH

REV	DATE	MODIFICATION DESCRIPTION	CHANGE	OPERATION	DRAW	DATE	SCALE	FIT	PART NO.
A1	2023/10/25	Modify	/	X.X ±0.40	NYF	2023/10/25	UNIT	mm	6329M-040S00M001W
A0	2022/03/03	NEW	/	X.XX ±0.25	CHECK	DATE	SIZE	A4	TITLE: SCSI ASSEMBLE(40PIN) (6PCS)
				X.XXX ±0.15	APPROVE	DATE	SHEET	3/3	Customer NO.
				Angle ± 3°			PROJ.		
				DIM TOL					

**WCON**  
Http: www.wcon.com

WCON-Dongguan Tel: +86 769 85358920 Fax: +86 769 85358915 E-mail: sales@wcon.com	WCON-Kunshan Tel: +86 512 57468408 Fax: +86 512 57468468 E-mail: salesks@wcon.com
---	--