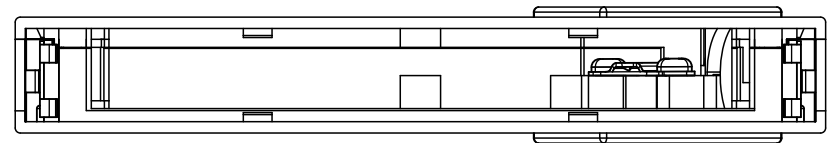
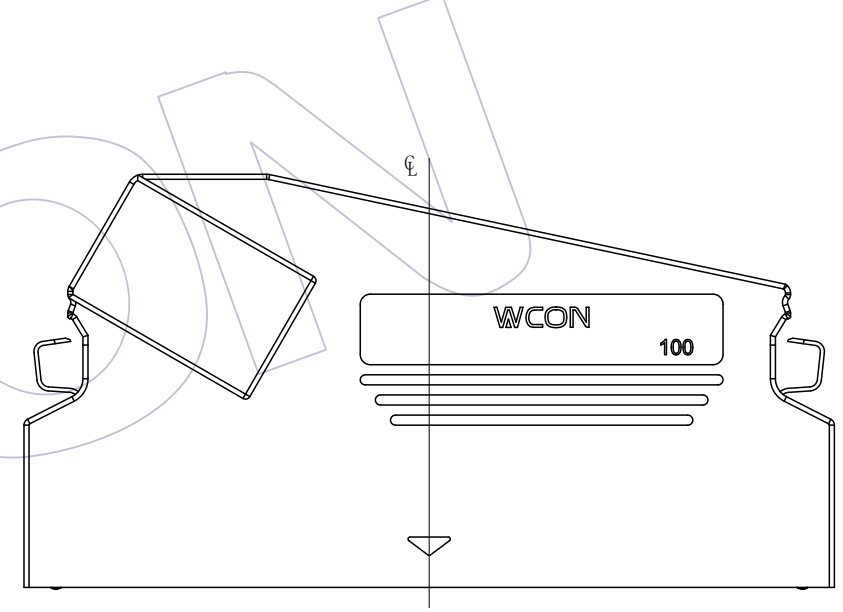
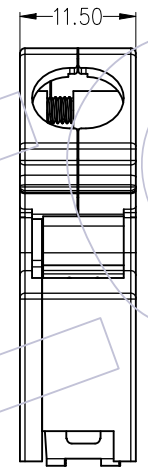
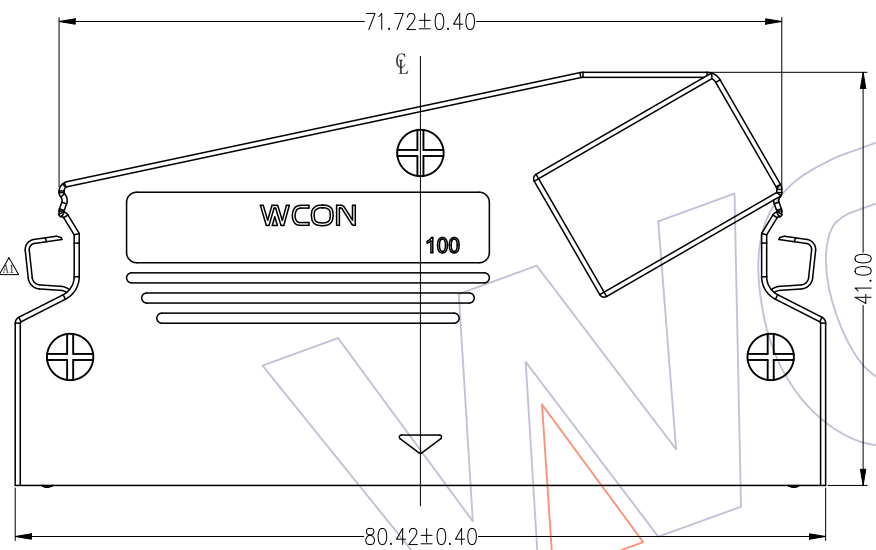
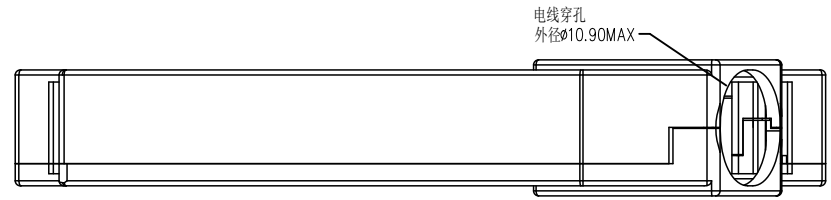


HSF

Ordering Information

6329M- 100 S 00 M 0 01 W

NO. of pins 100P
 Shell material M=Metal
 Wcon Internal Code: W=W/T WCON
 Contact Plating 00=NO contact
 Packing 0=BAG



| | | | | |
|------|----------------------|------------------|------|---------------------|
| (6) | LOWER SHELL | M6329M-100SNI02W | 1 | 锌合金, 镀高磷镍 |
| (5) | SIDE BUCKLE SHRAPNEL | K6328M-SM002 | 2 | SUS,T=0.40mm |
| (4) | CLAMP | B6326-050PNI01 | 1 | C5191-H,Plating Ni |
| (3) | SCREW CLAMP | L6326-SNI01 | 2 | SUS,M2.6,Plating Ni |
| (2) | SCREW SHELL | L6328M-SNI01 | 3 | SUS,M2.6,Plating Ni |
| (1) | UPPER SHELL | M6329M-100SNI01W | 1 | 锌合金, 镀高磷镍 |
| ITEM | DESCRIPTION | P/N | Q'TY | MATERIALS |

| REV | DATE | MODIFICATION DESCRIPTION | CHANGE |
|-----|------------|--------------------------|--------|
| A1 | 2023/10/25 | Modify | / |
| A0 | 2022/03/03 | NEW | / |

| OPERATION | OPERATION |
|-----------|-----------|
| X.X | ±0.40 |
| X.XX | ±0.25 |
| X.XXX | ±0.15 |
| Angle | ± 3° |
| DIM | TOL |

| | | |
|----------|-------|---------|
| DRAW NYF | CHECK | APPROVE |
|----------|-------|---------|

| | | |
|-----------------|------|------|
| DATE 2023/10/25 | DATE | DATE |
|-----------------|------|------|

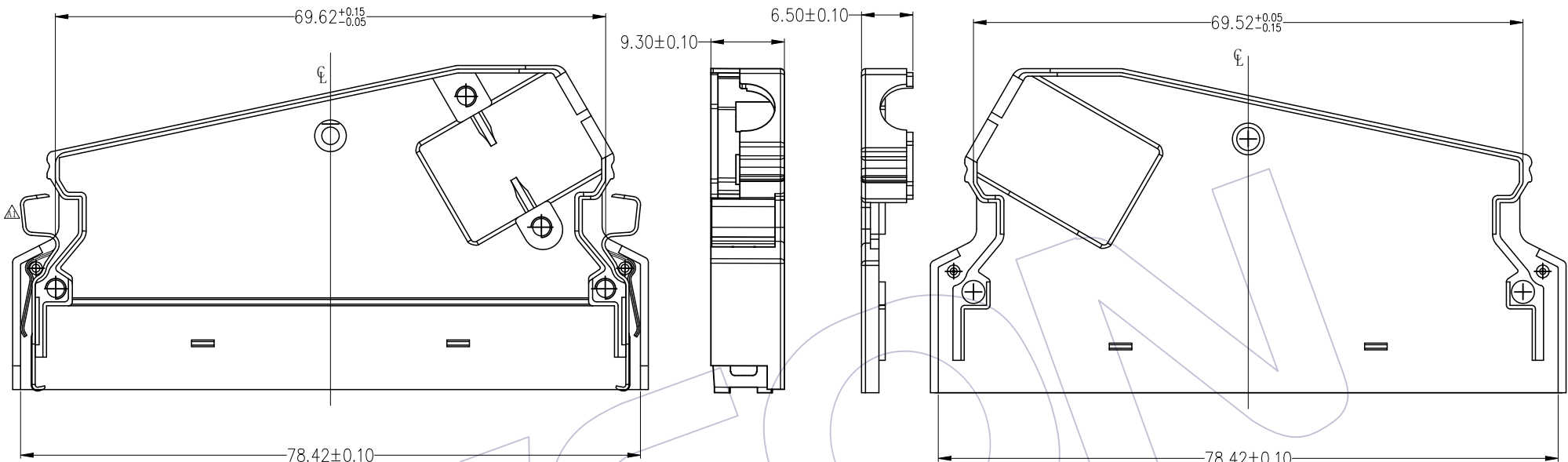
| | |
|-----------|-----|
| SCALE | FIT |
| UNIT mm | |
| SIZE A4 | |
| SHEET 1/3 | |
| PROJ. | |

| |
|-------------------------------------|
| PART NO. 6329M-100S00M01W |
| TITLE: SCSI ASSEMBLE(100PIN) (6PCS) |
| Customer NO. |

WCON
 Http: www.wcon.com

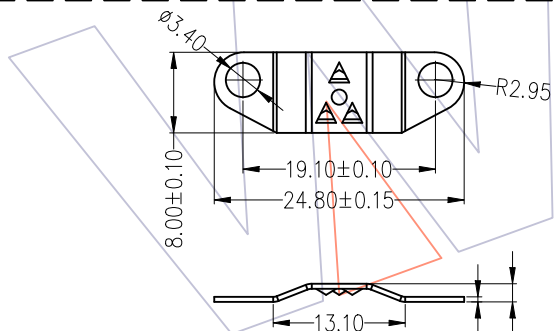
WCON-Dongguan
 Tel: +86 769 85358920
 Fax: +86 769 85358915
 E-mail: sales@wcon.com

WCON-Kunshan
 Tel: +86 512 57468408
 Fax: +86 512 57468468
 E-mail: salesks@wcon.com

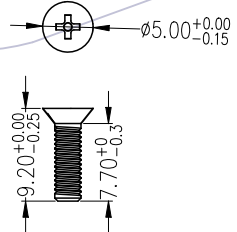


下壳及侧弹片
LOWER SHELL &
SIDE BUCKLE SHRAPNEL

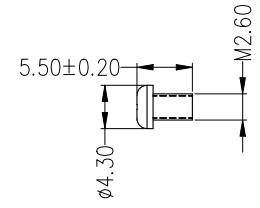
上壳
UPPER SHELL



线夹
(CLAMP)



壳螺丝
(SCREW SHELL)



线夹螺丝
(SCREW CLAMP)

| REV | DATE | MODIFICATION DESCRIPTION | CHANGE | OPERATION | | DRAW | DATE | SCALE | FIT | PART NO. |
|-----|------------|--------------------------|--------|-----------|-------|---------|------------|-------|-----|---|
| | | | | X.X | ±0.40 | | | | | |
| A1 | 2023/10/25 | Modify | / | X.XX | ±0.25 | NYF | 2023/10/25 | UNIT | mm | 6329M-100S00M001W |
| A0 | 2022/03/03 | NEW | / | X.XXX | ±0.15 | CHECK | DATE | SIZE | A4 | TITLE: SCSI ASSEMBLE(100PIN) (6PCS) |
| | | | | Angle | ± 3° | APPROVE | DATE | SHEET | 2/3 | Customer NO. |
| | | | | DIM | TOL | | | PROJ. | | |



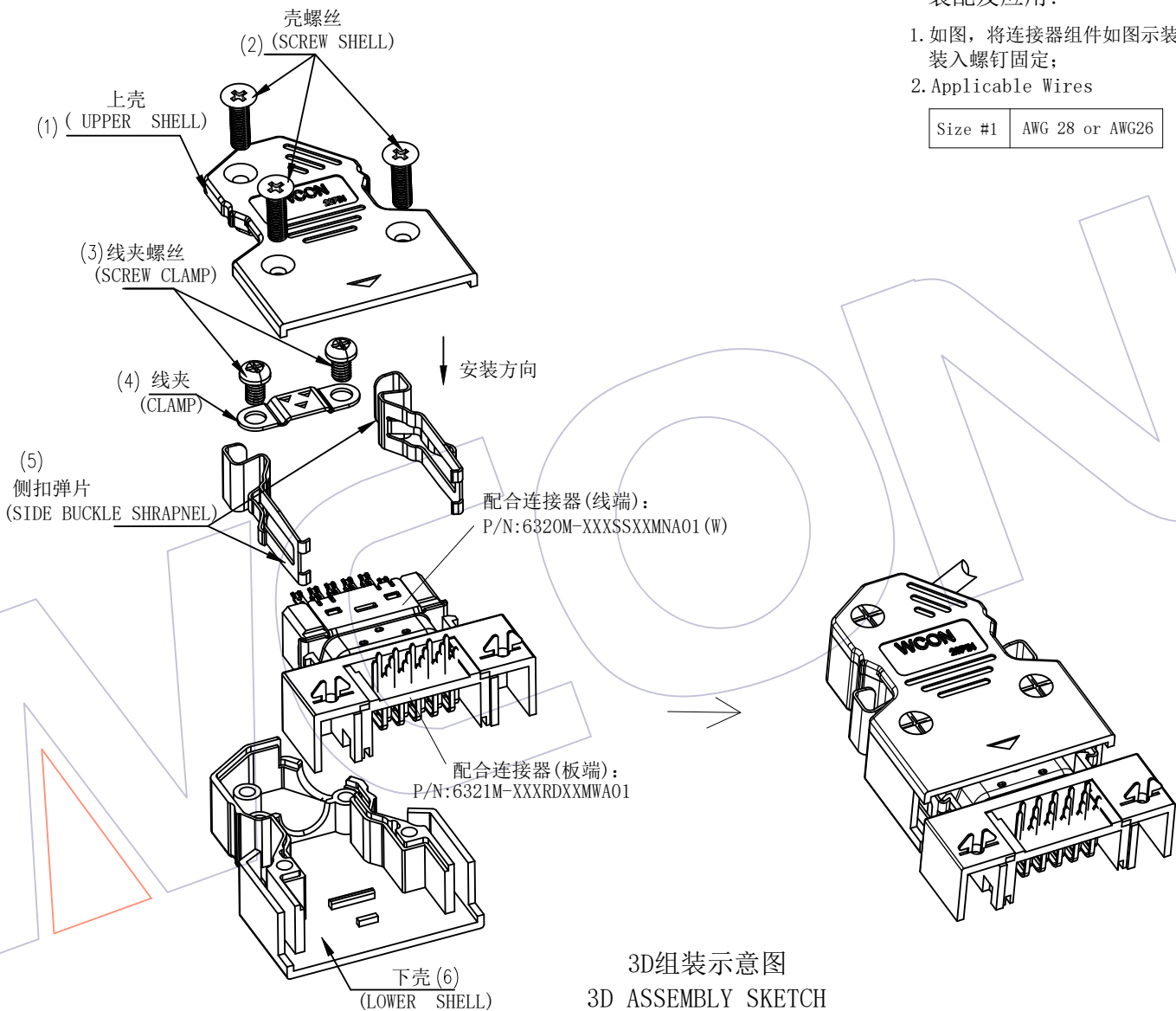
WCON-Dongguan Tel: +86 769 85358920 Fax: +86 769 85358915 E-mail: sales@wcon.com
WCON-Kunshan Tel: +86 512 57468408 Fax: +86 512 57468468 E-mail: sales@wcon.com

HSF

装配及应用:

1. 如图, 将连接器组件如图所示装入两壳中间, 装入螺钉固定;
2. Applicable Wires

| | |
|---------|-----------------|
| Size #1 | AWG 28 or AWG26 |
|---------|-----------------|



3D 组装示意图
3D ASSEMBLY SKETCH

| REV | DATE | MODIFICATION DESCRIPTION | CHANGE | OPERATION | DRAW | DATE | SCALE | FIT | PART NO. |
|-----|------------|--------------------------|--------|-------------|---------|------------|-------|-----|---|
| A1 | 2023/10/25 | Modify | / | X.X ±0.40 | NYF | 2023/10/25 | UNIT | mm | 6329M-100S00M001W |
| A0 | 2022/03/03 | NEW | / | X.XX ±0.25 | CHECK | DATE | SIZE | A4 | TITLE: SCSI ASSEMBLE(100PIN) (6PCS) |
| | | | | X.XXX ±0.15 | APPROVE | DATE | SHEET | 3/3 | Customer NO. |
| | | | | Angle ± 3° | | | PROJ. | | |
| | | | | DIM TOL | | | | | |

WCON
Http: www.wcon.com

| | |
|---|--|
| WCON-Dongguan Tel: +86 769 85358920 Fax: +86 769 85358915 E-mail: sales@wcon.com | WCON-Kunshan Tel: +86 512 57468408 Fax: +86 512 57468468 E-mail: salesks@wcon.com |
|---|--|