


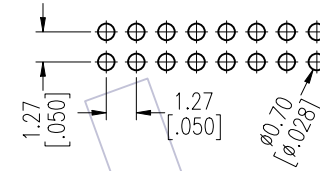
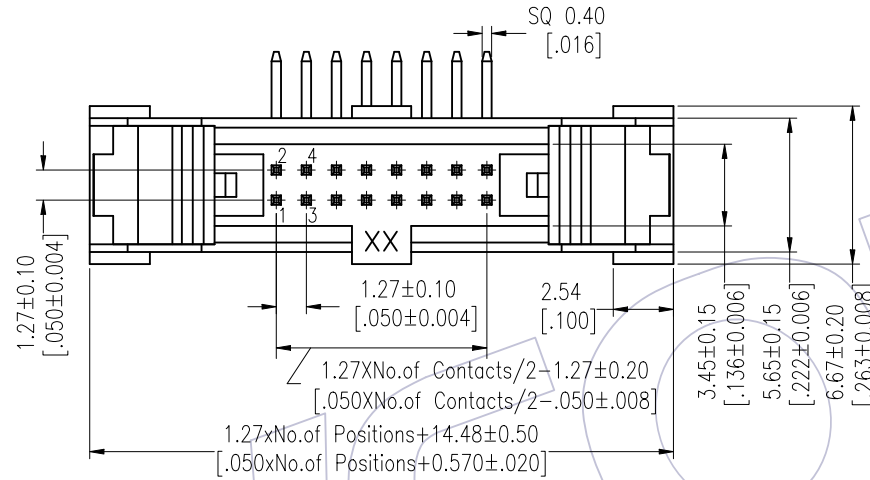
# HSF

**NOTES:**

Current Rating: 1.75AMP  
 Contact Resistance: 20mΩ Max  
 Withstand Voltage: 1000V AC/DC  
 Insulation Resistance: 5000MΩ Min  
 Operation Temperature: -55°C to +125°C

Contact Material: Brass   
 Contact plating: Au Or Sn over Ni  
 Insulator Material: LCP+30%G.F UL94V-0

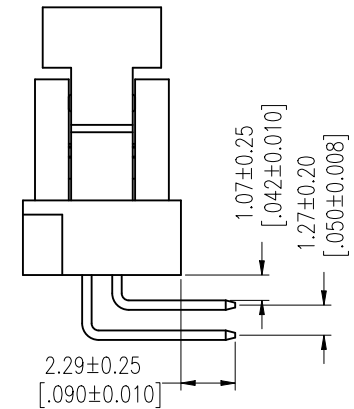
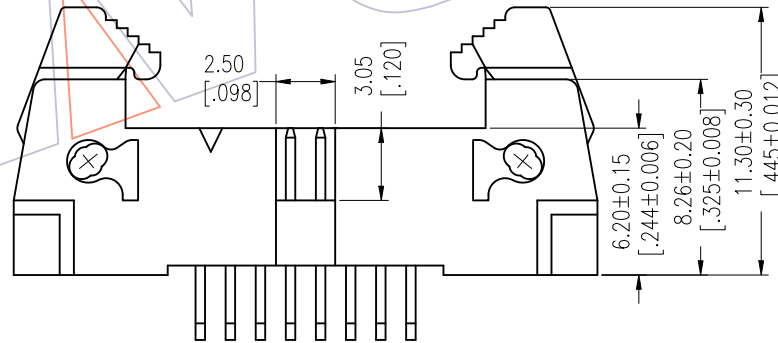
Recommended P.C.B Layout(Top Side)  
 (PCB BOARD TOLERANCE ±0.05)



## Ordering Information

3231-XX R XX B S T 1

No. of Pins	Contact Plating	Insulator Color	Packing
06 26	G0=Gold Flash	B=Black	T=Tube
08 30	G3=10u"Gold		
10 34	G4=15u"Gold		
14 40	G5=30u"Gold		
16 44	S0=Gold Flash/Tin		
20 50	S3=10u"Gold/Tin		
24	S4=15u"Gold/Tin		
	S5=30u"Gold/Tin		
	SN=Tin		



Item	Pitch	Mating
Standard	1.27	5232
Alternate		

REV	DATE	MODIFICATION DESCRIPTION	CHANGE	OPERATION	DRAW	DATE	SCALE	FIT	PART NO.
				x.x ±0.40	JYHuang	2012/12/24	UNIT mm		3231-XXRXXBST1
A1	2012/12/24	MODIFY THE NOTES: Phosphor Bronze → Brass	-----	x.xx ±0.25	CHECK	DATE	SIZE A4		TITLE: 1.27 Ejector Header "S" Type 90°
A0	2012/09/28	NEW	-----	x.xxx ±0.15			SHEET 1/1		
				Angle ± 3°	APPROVE	DATE	PROJ.		Customer NO.
				DIM TOL					

# WCON

Http: www.wcon.com

WCON-Dongguan Tel: +86 769 85358920 Fax: +86 769 85358915 E-mail: sales@wcon.com  
 WCON-Kunshan Tel: +86 512 57468408 Fax: +86 512 57468468 E-mail: salesks@wcon.com