

HSF

NOTES:

Current Rating:2A-AWG24#.
 (Two by one contact energized,
 AT 30°C Rise, Room Temp21.0°C)
 Voltage Rating:250V/AC
 Contact Resistance:20mΩ Max.
 Withstand Voltage:1000V AC For 1Minute
 Insulation Resistance:1000MΩ Min.
 Applicable Wire:AWG#24-#30
 Operation Temperature:-40°C to +105°C
 Insulator Material:PBT,G.F,UL94V-0,
 Black

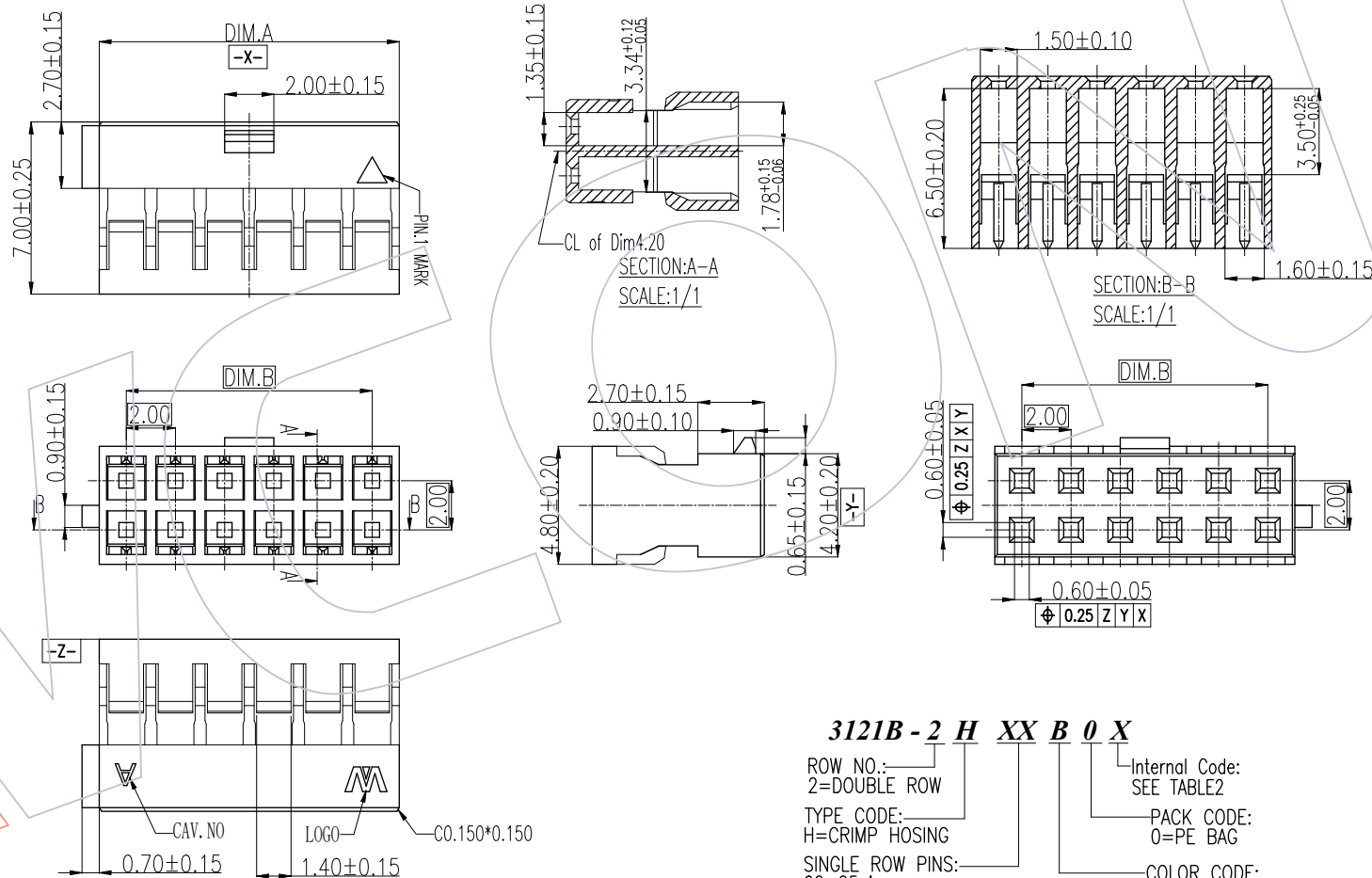


Table3:

Adaptation Terminal
3121-TPXXOX
3121-3TPSXOX

3121B-2 H XX B 0 X

ROW NO.:
 2=DOUBLE ROW
 TYPE CODE:
 H=CRIMP HOUSING
 SINGLE ROW PINS:
 02~25pin
 Internal Code:
 SEE TABLE2
 PACK CODE:
 0=PE BAG
 COLOR CODE:
 B=BLACK

REV	DATE	MODIFICATION DESCRIPTION	CHANGE	OPERATION	DRAW	DATE	SCALE	Fit	PART NO.
A0	2022/05/26	NEW RELEASE	Andrey	x.x ±0.40	Andrey	2022/05/26	UNIT	mm	3121B-2HXXBOX
				x.xx ±0.25	CHECK	DATE	SIZE	A4	TITLE:
				x.xxx ±0.15	APPROVE	DATE	SHEET	1/3	2.00mm Housing 'M' TYPE W/T Center Latch
				Angle ± 3°			PROJ.	⌀	Customer NO.
				DIM TOL					

WCON

Http: www.wcon.com

WCON-Dongguan
 Tel: +86 769 85358920
 Fax: +86 769 85358915
 E-mail: sales@wcon.com

WCON-Kunshan
 Tel: +86 512 57468408
 Fax: +86 512 57468468
 E-mail: salesks@wcon.com

HSF

TABLE.2:

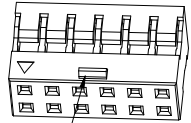
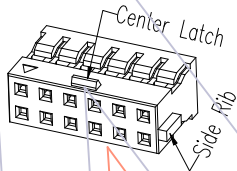
Part NO.	Feature	Pin No
3121B-2HXXB01	 Center Latch	2*2P,2*3P,2*4P.....2*25P
3121B-2HXXB02	 Center Latch Side Rib	2*2P,2*3P,2*4P.....2*25P

Table.1:

PIN NO.	DIM.	DIM.A&TOL.	DIM.B	PIN NO.	DIM.	DIM.A&TOL.	DIM.B	PIN NO.	DIM.	DIM.A&TOL.	DIM.B
4P(2*2P)	4.20	±0.15	2.00	20P(2*10P)	20.20	±0.20	18.00	36P(2*18P)	36.20	±0.30	34.00
6P(2*3P)	6.20		4.00	22P(2*11P)	22.20		20.00	38P(2*19P)	38.20		36.00
8P(2*4P)	8.20		6.00	24P(2*12P)	24.20		22.00	40P(2*20P)	40.20		38.00
10P(2*5P)	10.20	±0.15	8.00	26P(2*13P)	26.20	±0.20	24.00	42P(2*21P)	42.20	±0.30	40.00
12P(2*6P)	12.20		10.00	28P(2*14P)	28.20		26.00	44P(2*22P)	44.20		42.00
14P(2*7P)	14.20		12.00	30P(2*15P)	30.20		28.00	46P(2*23P)	46.20		44.00
16P(2*8P)	16.20	±0.15	14.00	32P(2*16P)	32.20	±0.20	30.00	48P(2*24P)	48.20	±0.30	46.00
18P(2*9P)	18.20		16.00	34P(2*17P)	34.20		32.00	50P(2*25P)	50.20		48.00

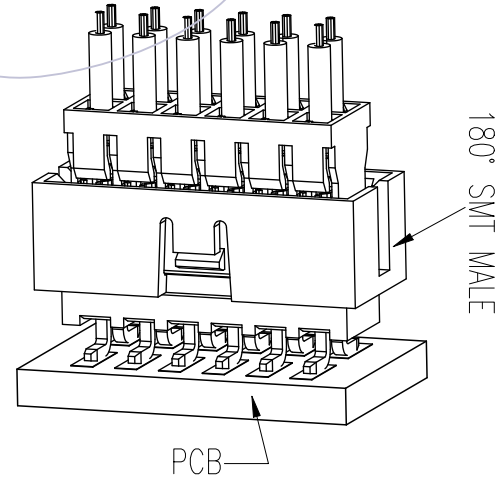
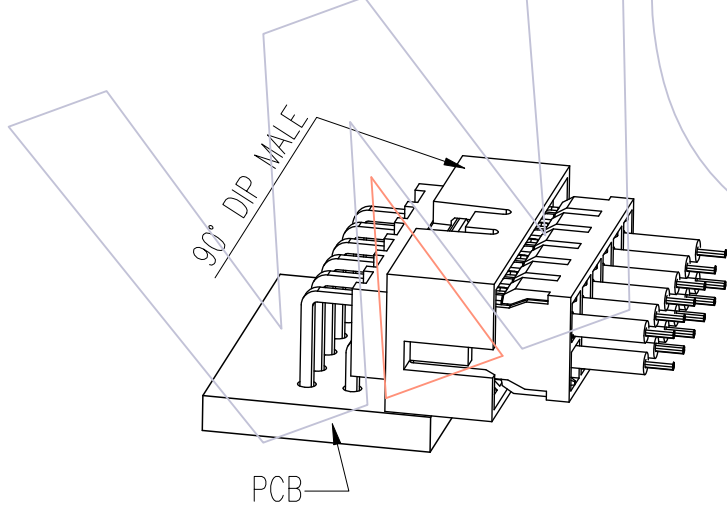
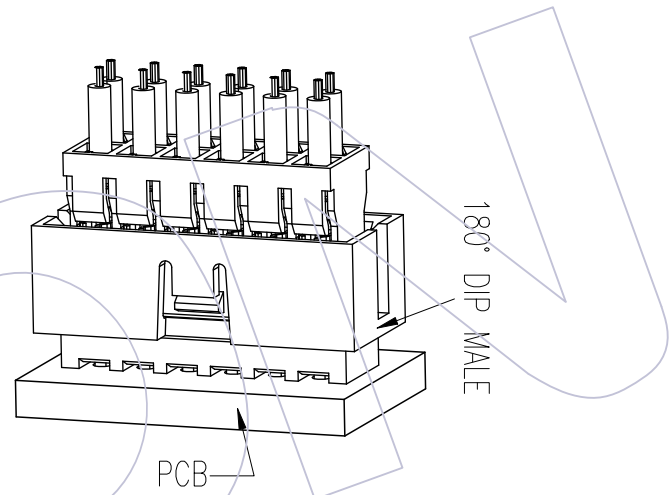
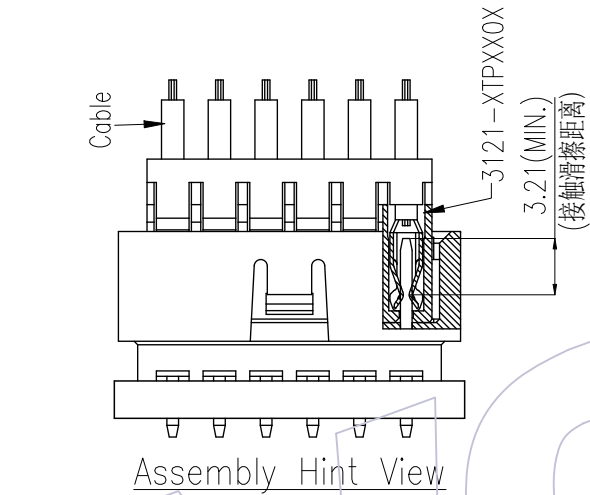
REV	DATE	MODIFICATION DESCRIPTION	CHANGE	OPERATION	DRAW	DATE	SCALE	Fit	PART NO.
A0	2022/05/26	NEW RELEASE	Andrey	x.X ±0.40	Andrey	2022/05/26	UNIT	mm	3121B-2HXXBOX
				x.XX ±0.25	CHECK	DATE	SIZE	A4	TITLE:
				x.XXX ±0.15			SHEET	2/3	2.00mm Housing 'M' TYPE W/T Center Latch
				Angle ± 3°	APPROVE	DATE	PROJ.	☉	Customer NO.
				DIM TOL					

WCON

Http: www.wcon.com

WCON-Dongguan Tel: +86 769 85358920
 WCON-Kunshan Tel: +86 512 57468408
 Fax: +86 769 85358915
 Fax: +86 512 57468468
 E-mail: sales@wcon.com
 E-mail: salesks@wcon.com

HSF



Rev	Date	Modification scripton	Change	Operation	Draw	Date	Scale	FIT	Part No.
A0	2022/05/26	NEW RELEASE	Andrey.yang	x.X ±0.40	Andrey.yang	2022/05/26	Unit	mm	3121B-2HXXBOX
				x.XX ±0.35	Check	Date	Size	A4	Title:
				x.XXX ±0.15	Approve	Date	Sheet	3/3	2.00mm Housing 'M' TYPE W/T Center Latch
				Angle ± 3°			PROJ.	⌀	Customer No.
				DIM	TOL				

WCON

Http: www.wcon.com

WCON-Dongguan Tel: +86 769 85358920
 WCON-Kunshan Tel: +86 512 57468408
 Fax: +86 769 85358915
 Fax: +86 512 57468468
 E-mail: sales@wcon.com
 E-mail: salesks@wcon.com