

HSF

NOTES:

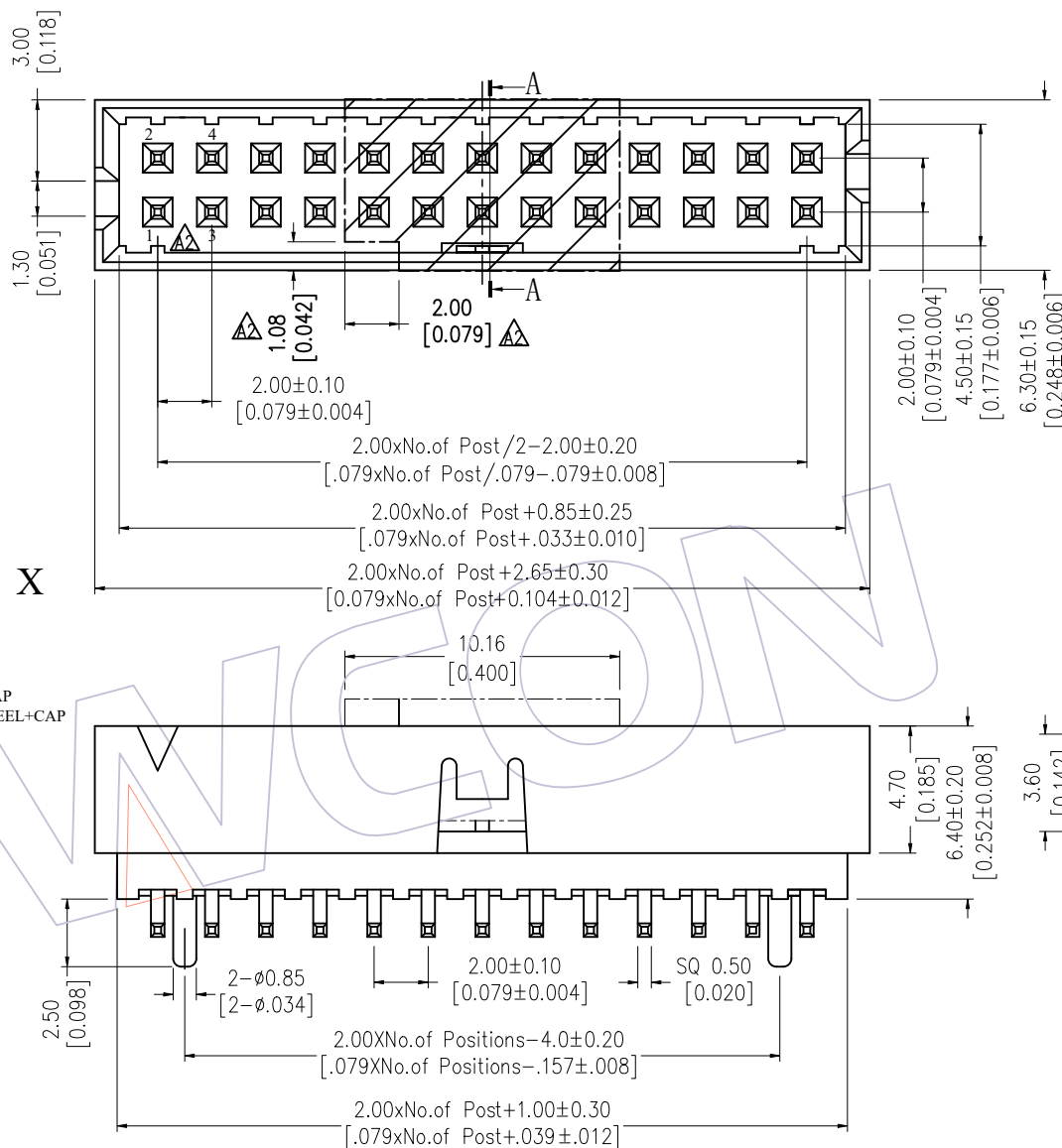
Current Rating: 2.0AMP
 Contact Resistance: 20mΩ Max
 Withstand Voltage: 500V AC/DC
 Insulation Resistance: 1000MΩ Min
 Operation Temperature: -40°C to +105°C

Contact Material: Brass
 Contact plating: Au Or Sn over Ni
 Insulator Material: PA9T G.F UL94V-0

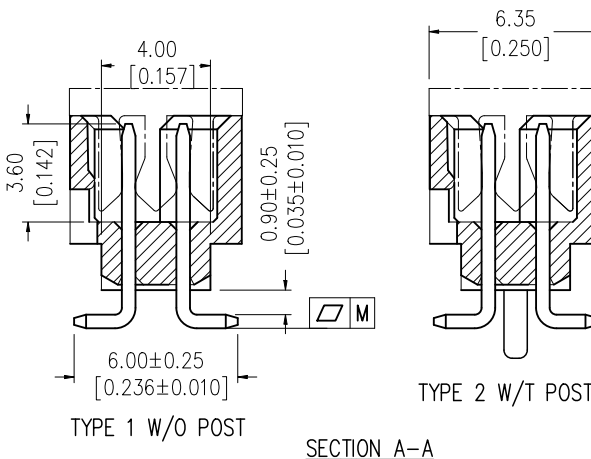
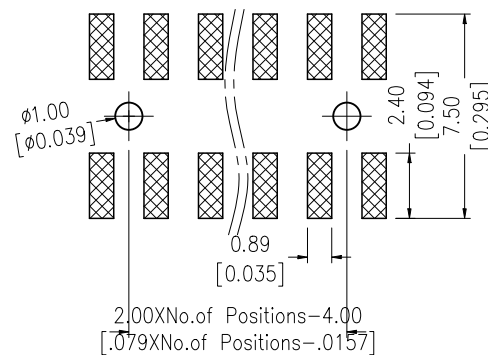
Ordering Information

3121B-XX M XX B K00 X X

	No. of Pins	Contact Plating	Color Insulator	Packing
8	26	G0=Gold Flash	B=Black	T=Tube
10	30	G3=10u"Gold		P=Tube+CAP
14	34	G4=15u"Gold		R=Tape&REEL+CAP
16	40	G5=30u"Gold		
20	44	S0=Gold Flash/Tin		
24	50	S3=10u"Gold/Tin		
		S4=15u"Gold/Tin		
		S5=30u"Gold/Tin		
		SN=Tin		



Recommended P.C.B Layout (Top Side) (PCB BOARD TOLERANCE ±0.05)



Item	Pitch	Mating
Standard	2.00	5223
Alternate		

A3	2023/02/16	Add Flatness		DuYing	OPERATION	DRAW	DATE	SCALE	FIT	PART NO.
A2	2019/09/09	Modify CAP		Liu	x.X ±0.40	DuYing	2023/02/16	UNIT	mm	3121B-XXMXXBK00XX
A1	2015/08/27	Modify		-----	x.XX ±0.25	CHECK	DATE	SIZE	A4	TITLE:
A0	2014/08/06	NEW	-----	-----	x.XXX ±0.15	APPROVE	DATE	SHEET	1/1	2.00 BOX HEADER SMT H=6.4 With Middle Cut
REV	DATE	MODIFICATION DESCRIPTION	CHANGE	-----	Angle ± 3°	APPROVE	DATE	PROJ.		Customer NO.
					DIM TOL					

	PIN (Per Row)	8-20P	24-40P	44-50P
	M	0.10	0.12	0.15

WCON

Http: www.wcon.com

WCON-Dongguan
 Tel: +86 769 85358920
 Fax: +86 769 85358915
 E-mail: sales@wcon.com

WCON-Kunshan
 Tel: +86 512 57468408
 Fax: +86 512 57468468
 E-mail: salesks@wcon.com