
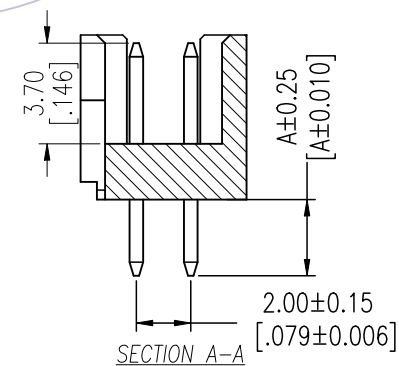
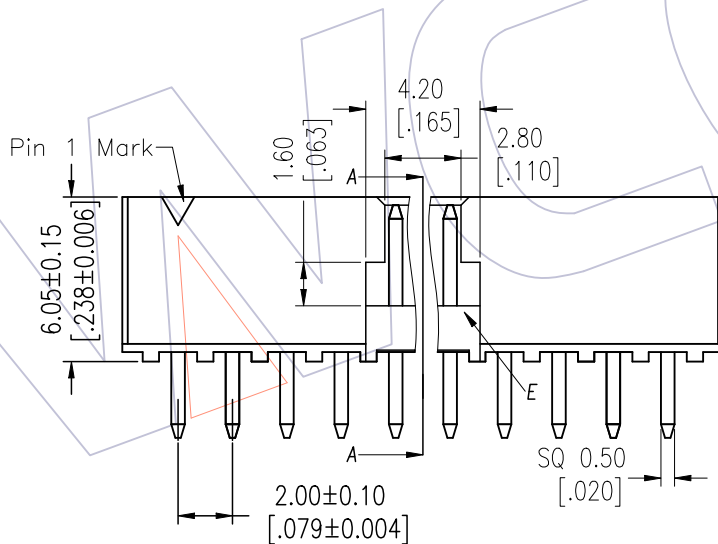
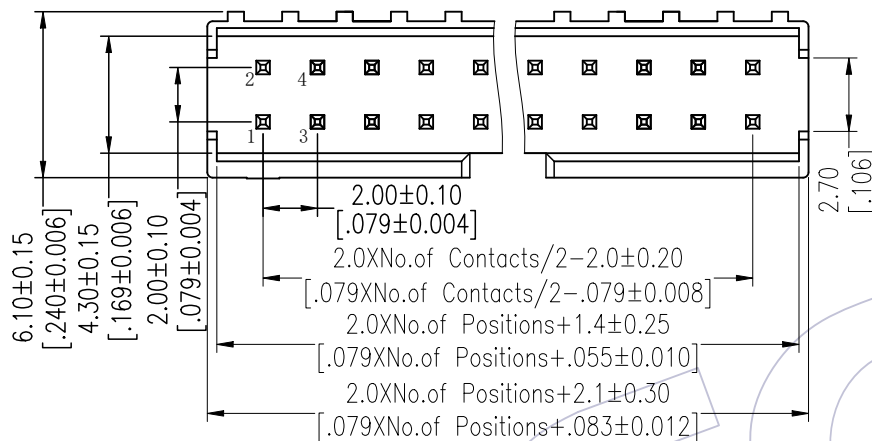
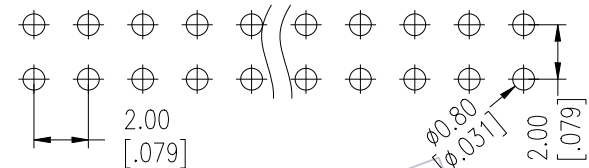


# HSF

NOTES:  
 Current Rating: 2.0AMP  
 Contact Resistance: 20mΩ Max  
 Withstand Voltage: 500V AC/DC  
 Insulation Resistance: 1000MΩ Min  
 Operation Temperature: -40°C to +105°C

Contact Material: Brass  
 Contact plating: Au Or Sn over Ni  
 Insulator Material: PA9T+33%G.F UL94V-0  
 LCP+30%G.F UL94V-0  
 6P-64P With Slot "E" 

Recommended P.C.B Layout(Top Side)  
 (PCB BOARD TOLERANCE ±0.05)



## Ordering Information

3122-XX S XX B K00 X X

| No. of Pins | Contact Plating   | Color Insulator | Packing |
|-------------|-------------------|-----------------|---------|
| 06 26       | G0=Gold Flash     | B=Black         | T=Tube  |
| 08 28       | G3=10u"Gold       | W=White         |         |
| 10 30       | G4=15u"Gold       |                 |         |
| 12 34       | G5=30u"Gold       |                 |         |
| 14 36       | S0=Gold Flash/Tin |                 |         |
| 16 40       | S3=10u"Gold/Tin   |                 |         |
| 18 44       | S4=15u"Gold/Tin   |                 |         |
| 20 50       | S5=30u"Gold/Tin   |                 |         |
| 22 60       | SN=Tin            |                 |         |
| 24 64       |                   |                 |         |

| Item      | Pitch | Mating | Dip(A) |
|-----------|-------|--------|--------|
| Standard  | 2.00  | 5224   | 2.80   |
| Alternate |       |        |        |

| REV | DATE       | MODIFICATION DESCRIPTION | CHANGE | OPERATION   | DRAW    | DATE       | SCALE | FIT | PART NO.  |
|-----|------------|--------------------------|--------|-------------|---------|------------|-------|-----|---|
|     |            |                          |        | x.x ±0.40   | Ding    | 2017/05/12 | UNIT  | mm  | 3122-XXSXXBK00XX                                  |
| A1  | 2017/05/12 | Modify drawing           |        | x.xx ±0.25  | CHECK   | DATE       | SIZE  | A4  | TITLE:<br>2.00 BOX HEADER 180°<br>H=6.10 "F" TYPE |
| A0  | 2012/09/24 | NEW                      | -----  | x.xxx ±0.15 | APPROVE | DATE       | SHEET | 1/1 | Customer NO.                                      |
|     |            |                          |        | Angle ± 3'  |         |            | PROJ. |     |   |
|     |            |                          |        | DIM TOL     |         |            |       |     |   |

# WCON

Http: www.wcon.com

WCON-Dongguan Tel: +86 769 85358920  
 WCON-Kunshan Tel: +86 512 57468408  
 Fax: +86 769 85358915  
 Fax: +86 512 57468468  
 E-mail: sales@wcon.com  
 E-mail: salesks@wcon.com