

HSF

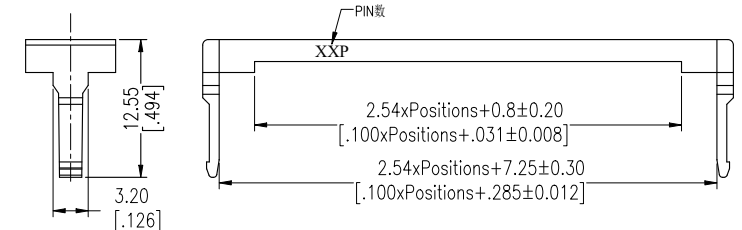
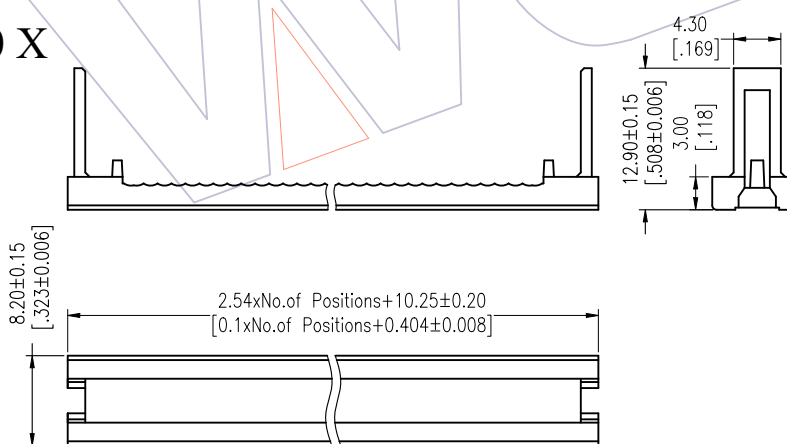
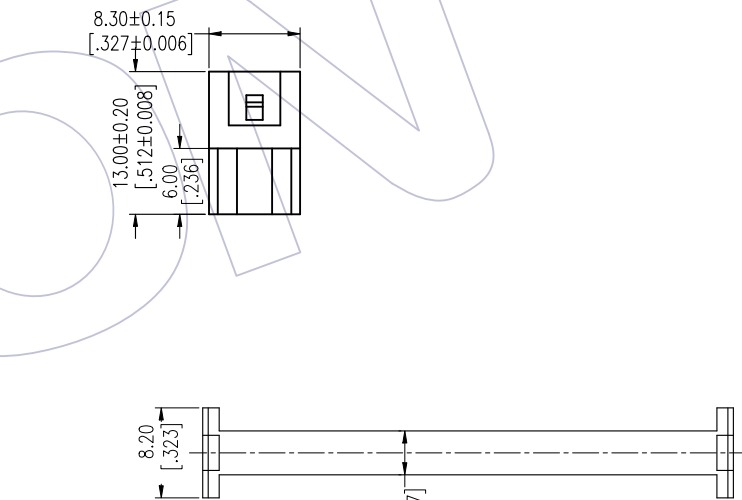
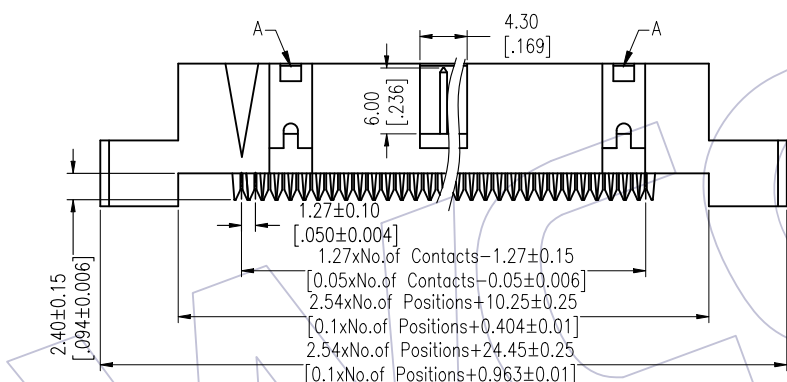
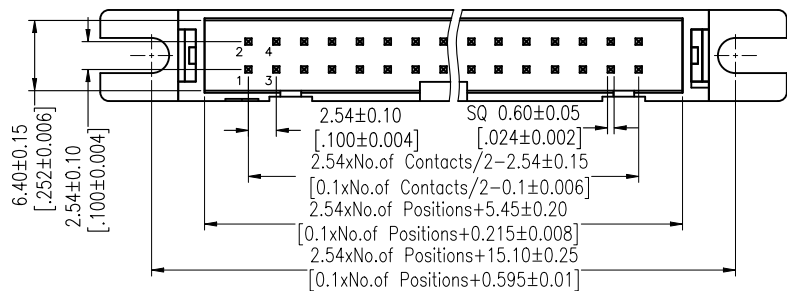
NOTES:
 Current Rating: 3.0AMP
 Contact Resistance: 20mΩ Max
 Withstand Voltage: 1000V AC/DC
 Insulation Resistance: 1000MΩ Min
 Operation Temperature: -40°C to +105°C

Contact Material: Brass \triangle
 Contact plating: Au over Ni
 Insulator Material: PBT+30%G.F UL94V-0
 10~16Pin Without "A"

Ordering Information

3810-XX XX W X N 0 X

No. of Pins	Contact Plating	Insulator Colour	Logo
10 30	S0=Gold Flash/Ni	G=Gray(427C)	N=Without Logo
14 34	S3=10u"Gold/Ni	E=Gray(413C)	W=With Logo
16 40	S4=15u"Gold/Ni	B=Black	
20 50	S5=30u"Gold/Ni		
24 60			
26 64			



COVER P/N: G3810-XXXX01 \triangle

SR P/N: G3810-XXXD01 \triangle

Item	Pitch	Mating
Standard	2.54	5212/5211
Alternate		

REV	DATE	MODIFICATION DESCRIPTION	CHANGE	OPERATION	DRAW	DATE	SCALE	FIT	PART NO.
A3	2018/01/11	MODIFY	-----	OPERATION	Ding	2018/01/11	UNIT	mm	3810-XXXXWXNOX
A2	2012/12/24	MODIFY THE NOTES: Phosphor Bronze → Brass	-----	x.X ±0.40	CHECK	DATE	SIZE	A4	TITLE: 2.54mm BOX HEADER IDC TYPE 带定位孔
A1	2012/11/22	Modify The Contact Plating	-----	x.XX ±0.25	APPROVE	DATE	SHEET	1/1	Customer NO.
A0	2012/09/25	NEW	-----	x.XXX ±0.15			PROJ.		
				Angle ± 3'					
				DIM TOL					

WCON

Http: www.wcon.com

WCON-Dongguan	WCON-Kunshan
Tel: +86 769 85358920	Tel: +86 512 57468408
Fax: +86 769 85358915	Fax: +86 512 57468468
E-mail: sales@wcon.com	E-mail: salesks@wcon.com