

# HSF

**NOTES:**

1. Current Rating: 1.0A Max (per pos) AT 20°C;
2. Contact Resistance: 30mΩ Max;
3. Operating Temperature: -40°C to +125°C;
4. Contact Material: Copper Alloy;
5. Contact plating:  
GX: xxμ" Gold on contact area (See ordering information),  
50μ" Nickel underplating overall;
6. Wire Size Range: 24-22AWG;
7. Insulation range: 0.8-1.2mm;

## Ordering Information

M006E - M T B XX 01

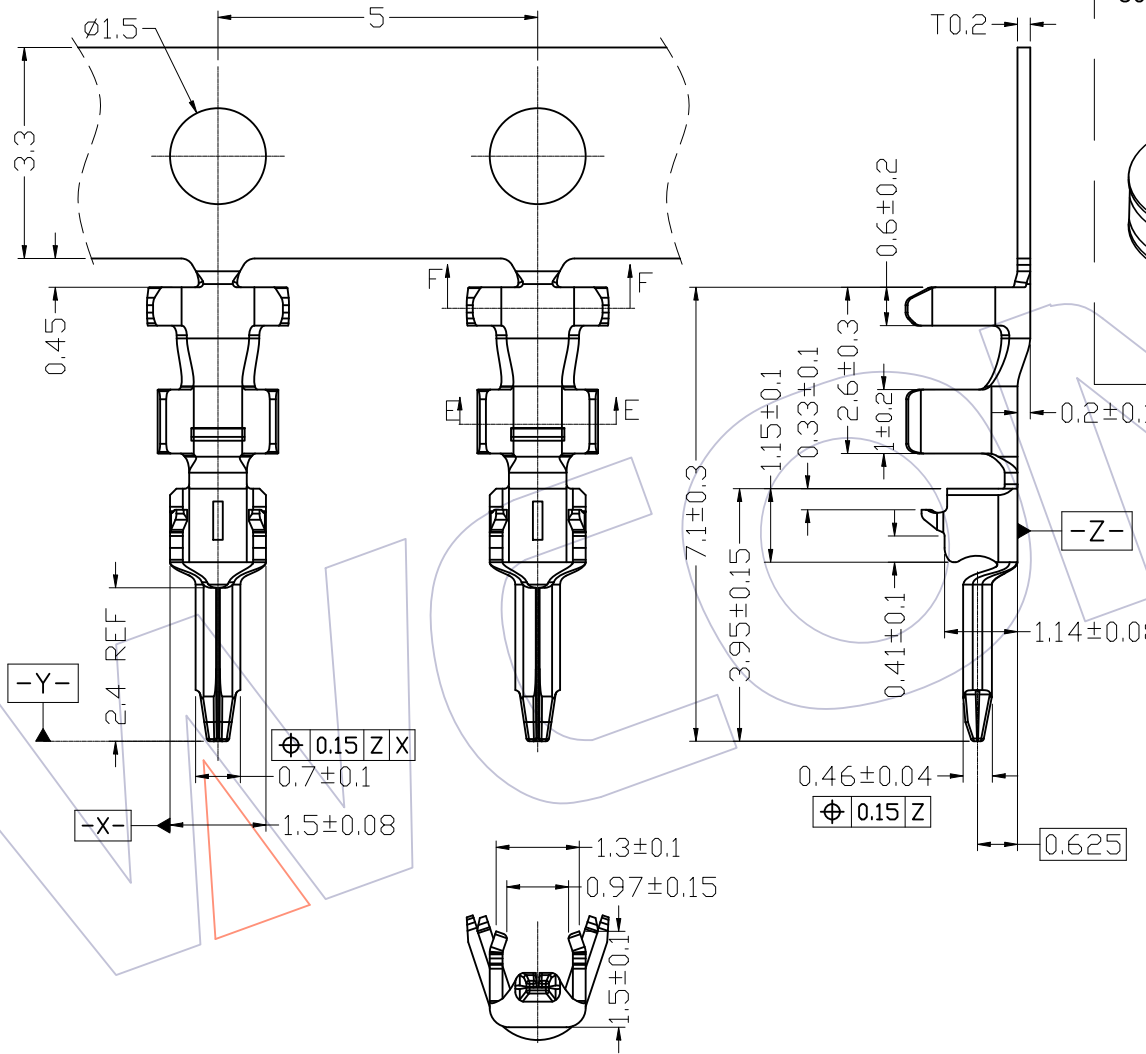
M=PLUG

Terminal

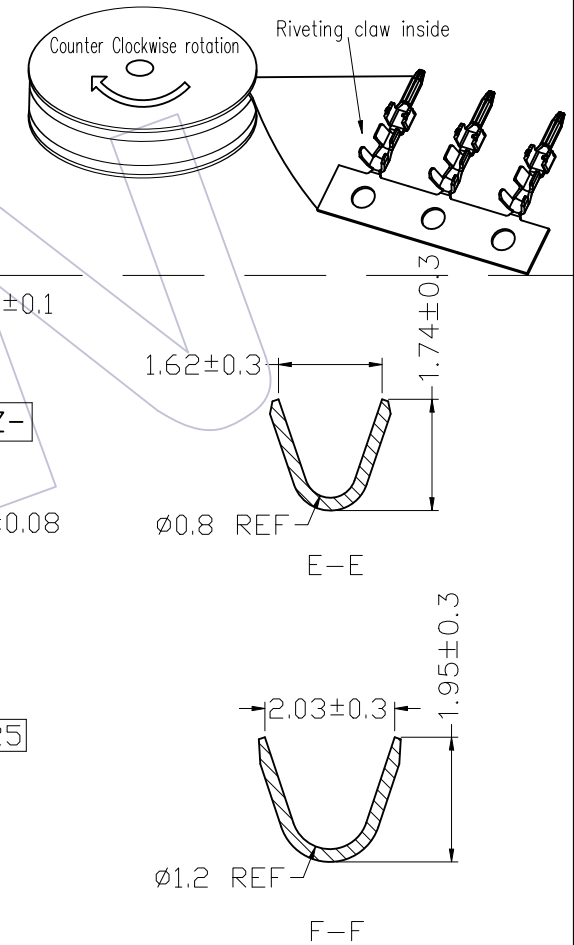
Material:  
B=C2680

Contact Plating:  
G0=Gold FLASH  
G1=3u"  
G2=5u"  
G3=10u"

Applicable wire gauge:  
01=24-22AWG



## SCHEMATIC DIAGRAM OF DISCHARGE DIRECTION



				OPERATION	DRAW	DATE	SCALE	FIT	PART NO.
				X.X ±0.40	Houfu Peng	2022. 12. 02	UNIT	mm	M006E-MTBXX01
				X.XX ±0.25	CHECK	DATE	SIZE	A4	TITLE: 2.0mm Servomotor M006
A0	2022. 12. 02	NEW		X.XXX ±0.15	APPROVE	DATE	SHEET	1/1	Encode/Brake Crimp Terminal
REV	DATE	MODIFICATION DESCRIPTION	CHANGE	Angle ± 3°			PROJ.	Customer NO.	
				DIM TOL					



Http: [www.wcon.com](http://www.wcon.com)

<p>WCON-Dongguan Tel: +86 769 85358920 Fax: +86 769 85358915 E-mail: <a href="mailto:sales@wcon.com">sales@wcon.com</a></p>	<p>WCON-Kunshan Tel: +86 512 57468408 Fax: +86 512 57468468 E-mail: <a href="mailto:salesks@wcon.com">salesks@wcon.com</a></p>
---	--