

HSF

NOTES:

1. Current Rating: 1.0A Max (per pos) AT 20°C;
2. Contact Resistance: 30mΩ Max;
3. Operating Temperature: -40°C to +125°C;
4. Contact Material: Copper Alloy;
5. Contact plating:
GX: xxμ" Gold on contact area (See ordering information),
50μ" Nickel underplating overall;
6. Wire Size Range: 28-26AWG;
7. Insulation range: 0.7-1.2mm;

Ordering Information

M006E - M T B XX 02

M=PLUG

Terminal

Material:

B=C2680

Contact Plating:

G0=Gold FLASH

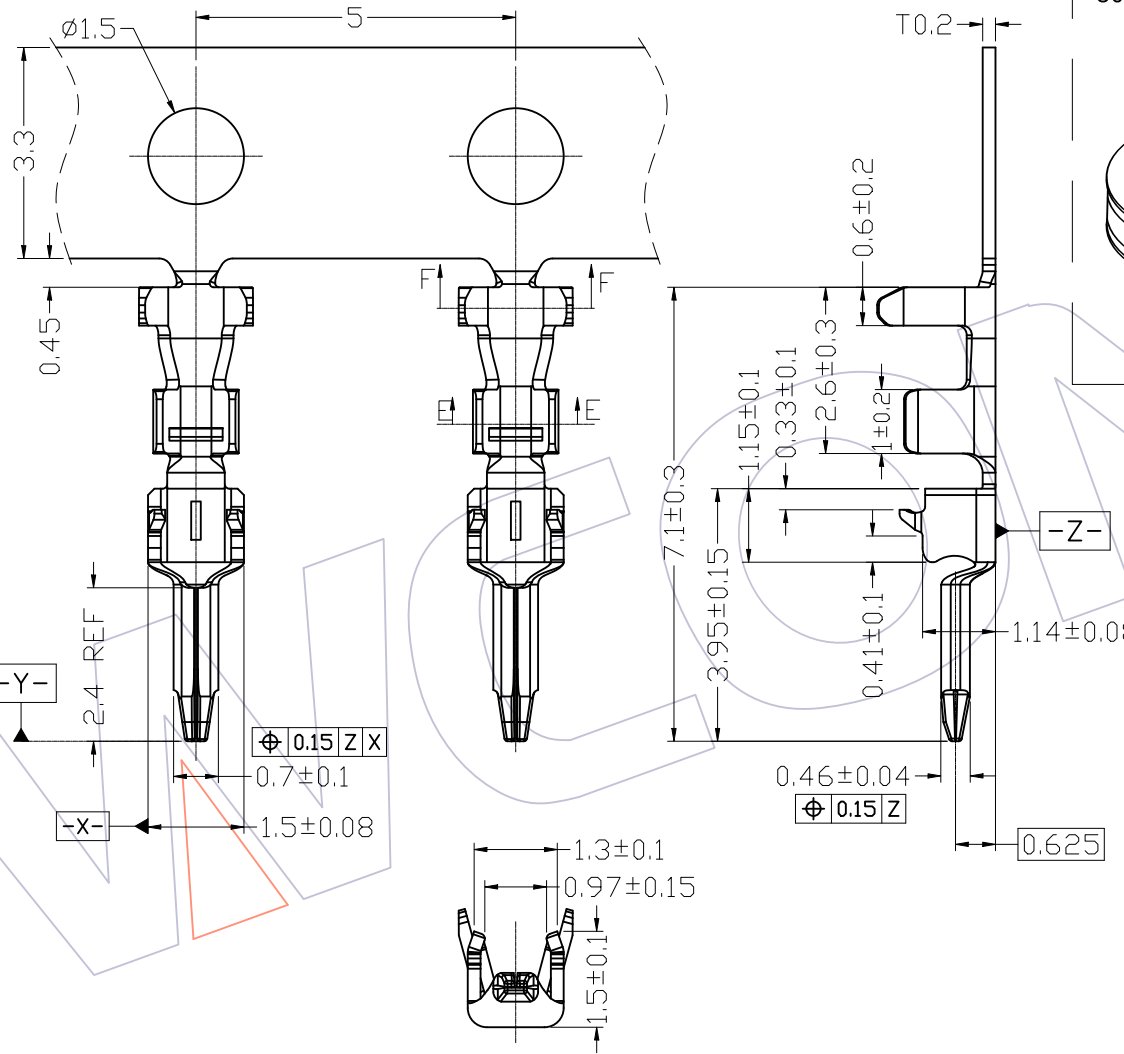
G1=3u"

G2=5u"

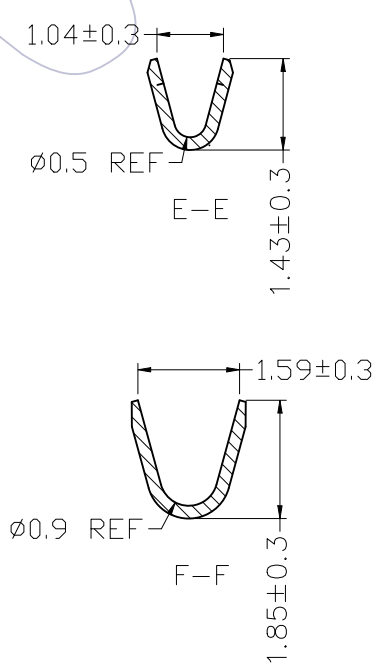
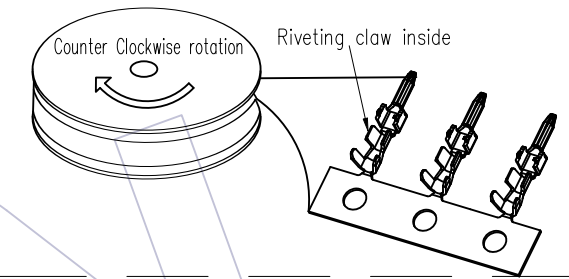
G3=10u"

Applicable wire gauge:

02=28-26AWG



SCHEMATIC DIAGRAM OF DISCHARGE DIRECTION



		OPERATION		DRAW		DATE		SCALE		FIT		PART NO.	
		X.X	±0.40	Houfu Peng		2022. 11. 26		UNIT		mm		M006E-MTBXX02	
		X.XX	±0.25	CHECK		DATE		SIZE		A4		TITLE: 2.0mm Servomotor M006	
		X.XXX	±0.15	APPROVE		DATE		SHEET		1/1		Encode/Brake Crimp Terminal	
		Angle	± 3'					PROJ.		⌀		PLUG (28-26AWG)	
		DIM	TOL									Customer NO.	
A0	2022. 11. 26	NEW											
REV	DATE	MODIFICATION DESCRIPTION		CHANGE									

WCON

Http: www.wcon.com

WCON-Dongguan		WCON-Kunshan	
Tel: +86 769 85358920		Tel: +86 512 57468408	
Fax: +86 769 85358915		Fax: +86 512 57468468	
E-mail: sales@wcon.com		E-mail: salesks@wcon.com	