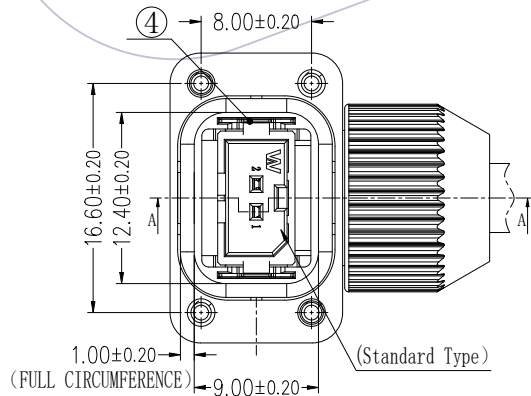
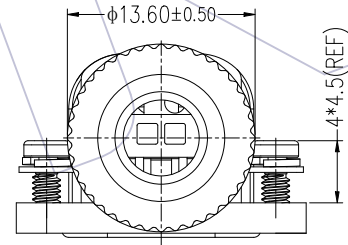
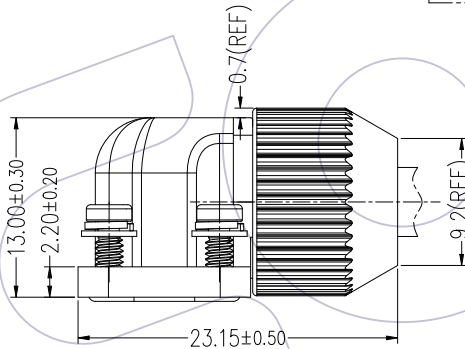
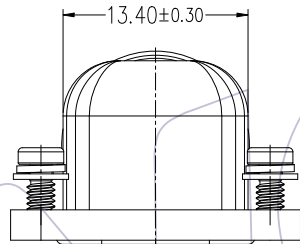
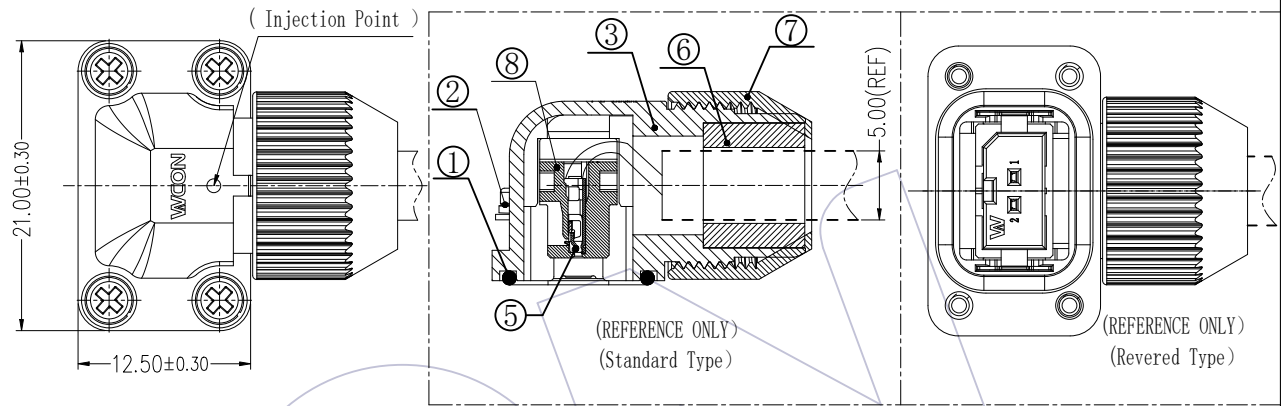


HSF


MJE06B-20 02 XX OX W
 B=Brake
 20=PITCH:2.0
 02=2pin
 WIRE:
 22=22-26AWG
 30=26-30AWG
 W=With:LOGO
 Blank=Without:LOGO
 02:Standard Type
 03:Revered Type

SPECIFICATION:

1. RATED CURRENT:1A MAX(PER 1 POS);
2. VOLTAGE RATING: 100V AC(RMS);
3. CONTACT RESISTANCE: 30MΩ MAX;
4. WITHSTAND VOLTAGE: 500V AC;
5. INSULATION RESISTANCE: 100MΩ MIN;
6. OPERATION TEMPERATURE: -40°C TO +125°C;
7. APPLICABLE WIRE:
 WIRE SIZE: AWG#26~#22
 INSULATION OUTER DIAMETER: $\phi 0.8 \sim 1.2$ MM;
 OR WIRE SIZE: AWG#30~#26
 INSULATION OUTER DIAMETER: $\phi 0.7 \sim 1.2$ MM;
 FINISH OUTER DIAMETER: $\phi 4.5 \sim 5.5$ MM;
8. SCREWS AND GASKET SHALL NOT BE EASILY REMOVED;
9. ALL MATERIALS SHOULD BE COMPLIANT TO ROHS;
10. WATERPROOF: IP67(WHEN MATED);



NO	DESCRIPTION	QTY	MATERIAL	REMARKS
8	塑胶主体 (SOCKET INSULATOR)	1	PBT	BLACK
7	塑胶螺帽 (GLAND NUT)	1	PA66	BLACK
6	密封套管 (BUSHING)	1	SILICONE RUBBER	GRAY
5	母端子 (SOCKET CONTACT)	2	Phosphor Copper	GOLD PLATING
4	固定弹片 (SPRING)	2	STAINLESS STEEL	
3	外壳 (HOOD)	1	PA66	BLACK
2	M2螺丝 (SCREW)	4	STEEL	ZINC PLATING
1	防水圈 (GASKET)	1	SILICONE RUBBER	BLACK

REV	DATE	MODIFICATION DESCRIPTION	CHANGE	OPERATION	DRAW	DATE	SCALE	FIT	PART NO.	 Http: www.wcon.com WCON-Dongguan Tel: +86 769 85358920 Fax: +86 769 85358915 E-mail: sales@wcon.com	WCON-Kunshan Tel: +86 512 57468408 Fax: +86 512 57468468 E-mail: salesks@wcon.com	
				X.X	shi chun	2023. 03. 20	UNIT	mm	MJE06B-2002XXOX (W)			TITLE: 2.0mm Servo Motor 06 Series Brake Plug, 2P HOOD Assembly
				X.XX	CHECK	DATE	inch	A4	Customer NO. ---			
				X.XXX	APPROVE	DATE	SHEET	1/1				
				Angle			PROJ.					
				DIM	TOL							