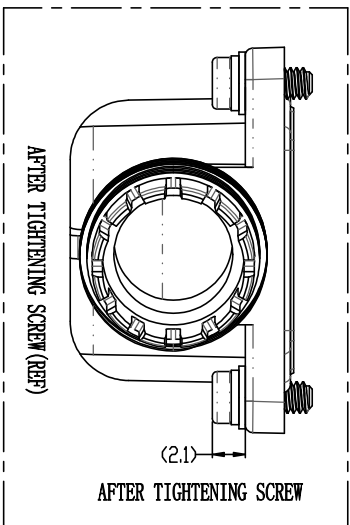
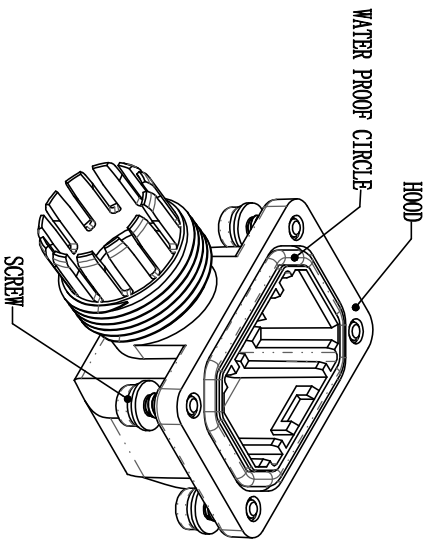


BEFORE TIGHTENING SCREW



AFTER TIGHTENING SCREW



MJE04P-32 04 18 01 W
 P=POWER
 32=3.2mm
 4=Circuits
 Applicable Wire
 18=18-20AWG

W=WCON LOGO
 WCON internal code

REV	DATE	MODIFICATION DESCRIPTION	CHANGE	OPERATION		DRAW	DATE	SCALE	FIT	PART NO.	TITLE:	WCON-Dongguan	WCON-Kunshan
				XX	±0.40								
				X.XX	±0.25	CHECK		A4	1/2		Customer NO.	Fax: +86 769 85358915	Fax: +86 512 57468468
0	2022.09.22	NEW		X.XXX	±0.15	APPROVE						E-mail: sales@wcon.com	E-mail: sales@wcon.com
				Angle	± 3'								



Http: www.wcon.com