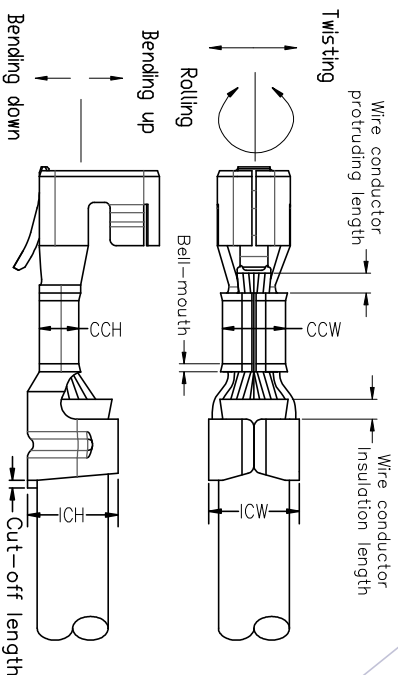


- NOTES:
1. RATING CURRENT: 7A MAX(PER 1 POS);
 2. CONTACT RESISTANCE: 20MΩ MAX;
 3. OPERATING TEMPERATURE: -20CTO +130C;
 4. CONTACT MATERIAL: COPPER ALLOY;
 5. PLATING: AU OVER 30U"MIN NICKEL;
 6. WIRE SIZE RANGE: 18~20AWG;
 7. INSULATION RANGE: 1.3~1.8MM;

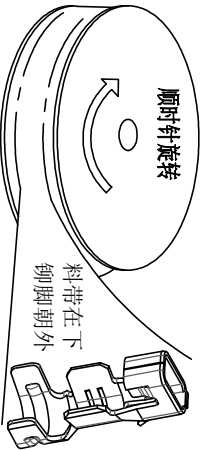
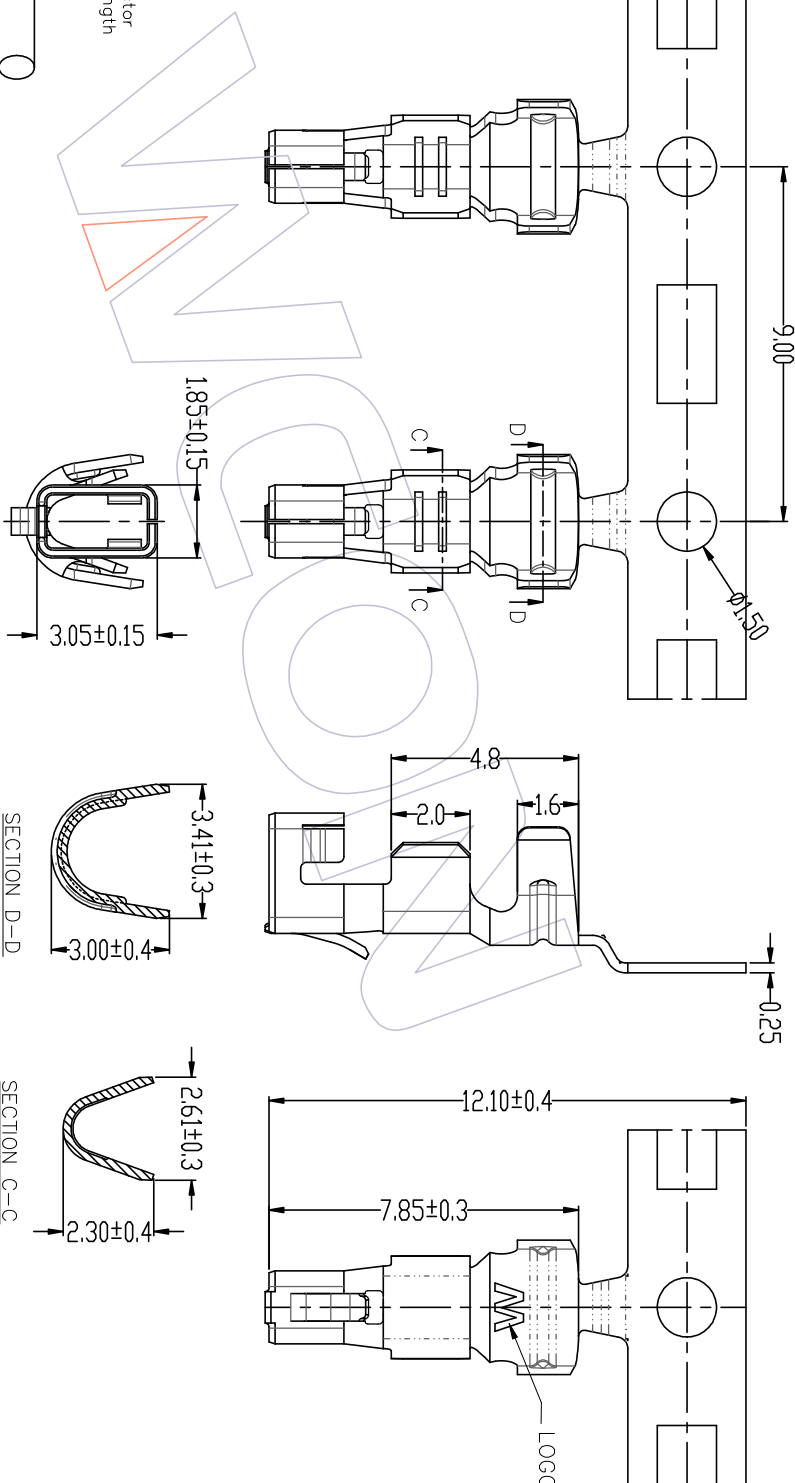
MJBE04 P-F T C GX 01
 WCON internal code

P=POWER
 F=Female
 T=Crimp Terminal
 C=C7025
 G0=Gold 1u"
 G1=Gold 3u"
 G2=Gold 5u"



CCH	CCW	ICH(mm)	ICW(mm)
1.05±0.05	1.65±0.05	2.30MAX	2.40MAX

Item	Reference
Bending up	5 ^{max}
Bending down	3 ^{max}
Twisting	3 ^{max}
Rolling	3 ^{max}
Bell-mouth	0.05~0.35mm(REF)
Cut-off length	0.2mm MAX
Wire conductor protruding length	0.3~0.7mm
Wire conductor Insulation length	0.5~0.8mm



Counter Clockwise rotation (The rivet claw faces outard)

REV	DATE	MODIFICATION DESCRIPTION	CHANGE	OPERATION	DRAW	DATE	SCALE	FIT	PART NO.	TITLE:	WCON-Dongguan	WCON-Kunshan
0	2022.09.22	NEW		XX ±0.40	ANDY-XIE	2022.09.20	mm UNIT	inch	MJBE04P-FITCXX01	3.2mm SERVO MOTOR 04 Series POWER PLUG SOCKET CONTACT	Tel: +86 769 85358920	Tel: +86 512 57468408
				X.XX ±0.25	CHECK	DATE	A4	1/1		Customer NO.	Fax: +86 769 85358915	Fax: +86 512 57468468
				X.XXX ±0.15	APPROVE	DATE	1/1				E-mail: sales@wcon.com	E-mail: sales@wcon.com
				Angle ± 3°								
				DIM								