

HSF

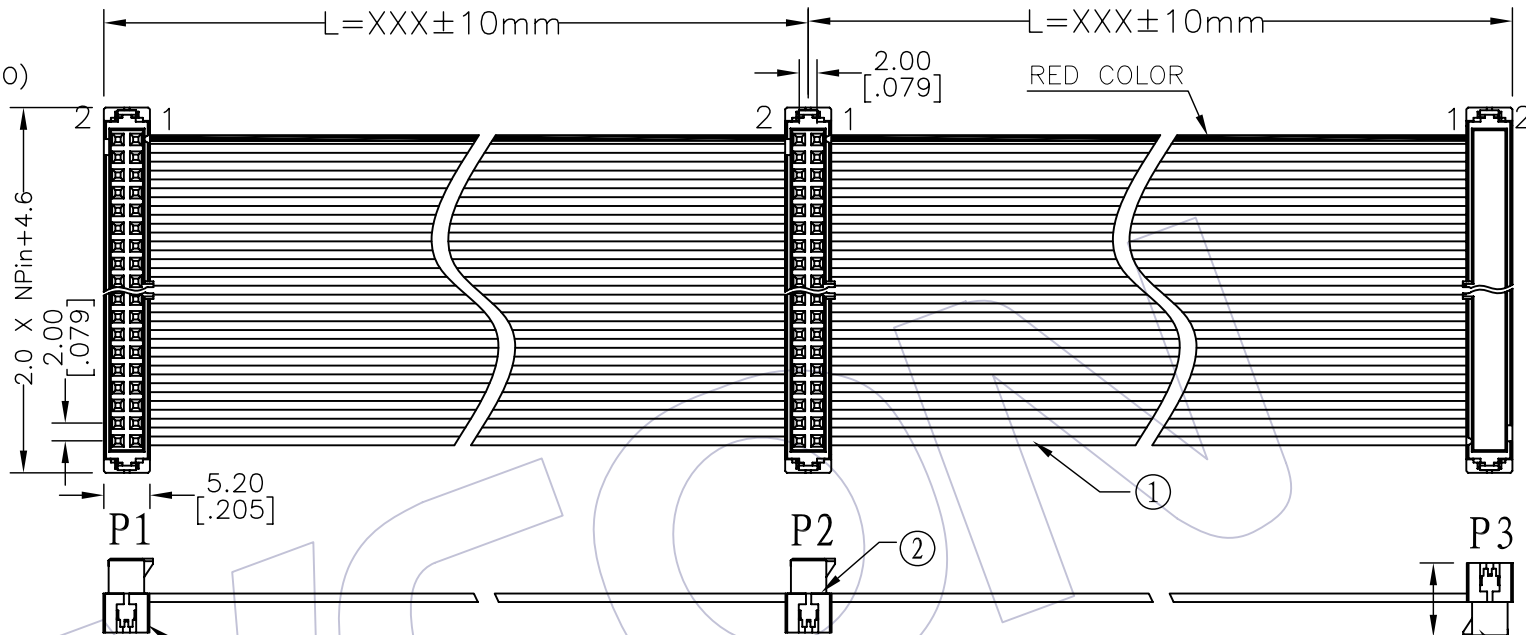
IDC HOUSING MATERIAL
 Insulation Material:PBT+30%GF(UL94V-0)
 Contact Material:Phosphor Bronze
 Contact plating:Au or Sn Over Ni

SPECIFICATIONS

Insulation Resistance:5MΩ Min
 Contact Resistance:1.0Ω Max
 Withstand Voltage:DC 300V, 10S
 The Cable Assembly Must 100% Test

CABLE MATERIAL

Insulation:UL 2651,Grey Red Side
 Conductor:28AWG(7/0.12mm)
 Electrical:300V



Ordering Information

FA23 - xx xx D A B xxx - 81

No.OF Pins
04~64p

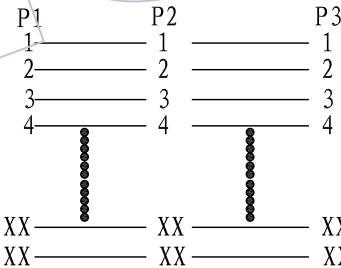
Contact Plating:
 G0=Gold Flash
 G3=10u"Gold
 G4=15u"Gold
 G5=30u"Gold

Connector Direction:
 D=Outside Opposite

Connector Color:
 B=Black

Length of Line(mm)

CONNECT METHOD



②	5223-XXYPXXBW01	CONN.	2.00 IDC **P T TYPE PBT Black Phosphor Bronze Plating Xu"	3	SET
①	F1U-B28GXXD0-XXXX-1	WIRE	UL2651 PH1.0mm XXP 28AWG (7/0.12TC) PVC Grey Marking Red Side	XXXX	MM
NO.	PART NO.	NAME	TITLE	QT'Y	UNIT

						OPERATION	DRAW	BEN	09/08/26	SCALE	1:1	维峰五金电子有限公司 WAVE HARDWARE ELECTRONICS CO. LTD		
						X.X ±0.40	DESIGN			UNIT	mm			
						X.XX ±0.25	CHECK			SIZE	A4		PART NO.	FA23- xxxxDABxxx - 81
						X.XXX ±0.15	APPROVE			SHEET	1/1		TITLE:	2.00 T TYPE IDC Drawing
AO	09/08/26		NEW			Angle ± 3'				PROJ.	Customer NO.			
REV	DATE		MODIFICATION DESCRIPTION	CHANGE	APPROVE	DIM TOL								