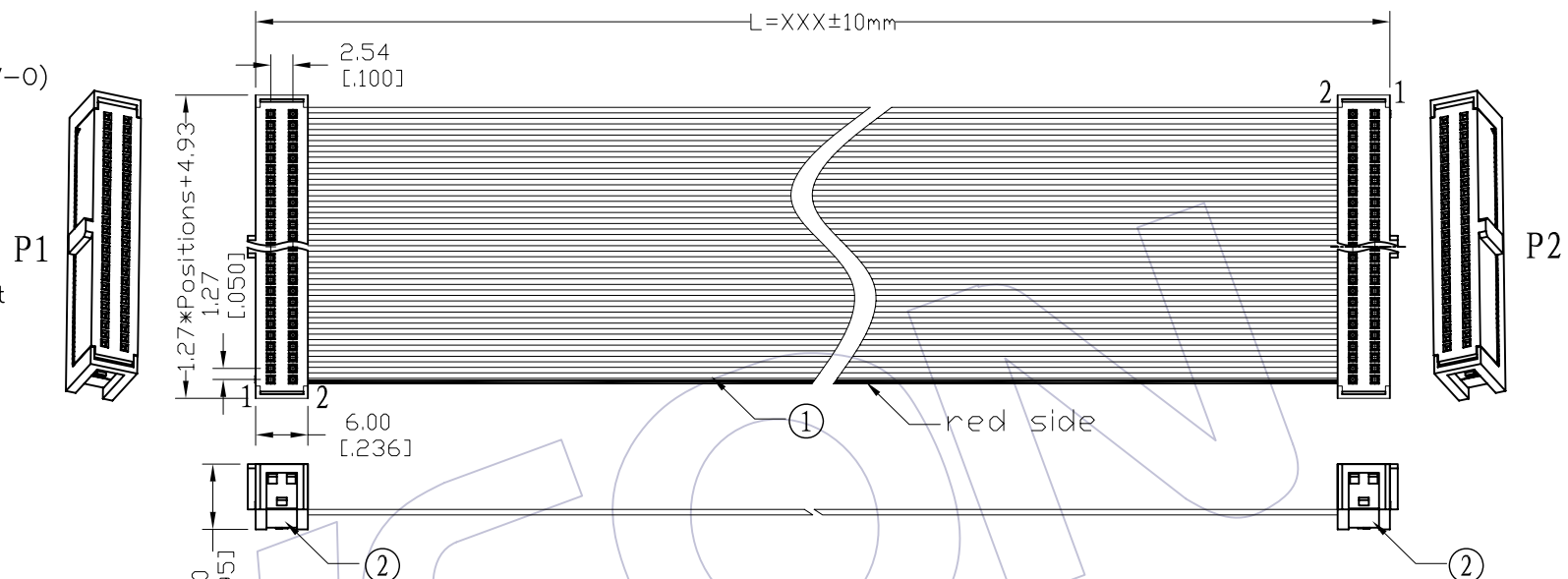


HSF

IDC HOUSING MATERIAL
 Insulation Material: PBT+30%GF(UL94V-0)
 Contact Material: Phosphor Bronze
 Contact plating: Au or Sn Over Ni

SPECIFICATIONS
 Insulation Resistance: 5MΩ Min
 Contact Resistance: 1.0Ω Max
 Withstand Voltage: DC 300V, 10S
 The Cable Assembly Must 100% Test

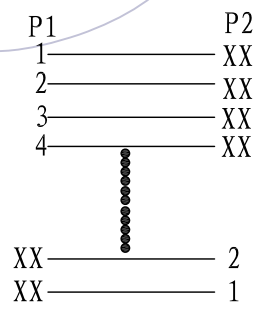
CABLE MATERIAL
 Insulation: UL 2678, Grey Red Side
 Conductor: 30AWG(7/0.102mm)
 Electrical: 300V



Ordering Information

FA42 - xx xx A B B xxx - 02

No. OF Pins: 06~100p
 Contact Plating:
 G0=Gold Flash
 G3=10u"Gold
 G4=15u"Gold
 G5=30u"Gold
 S0=Gold Flash/Ni
 S3=10u"Gold/Ni
 S4=15u"Gold/Ni
 S5=30u"Gold/Ni
 SN=Tin
 Connector Color:
 B=Black
 Connector Direction:
 A=same Direction



②	5242-XXYPXXBW01	CONN.	1.27*2.54 IDC **P PBT Black With Bump Phosphor Bronze Plating Xu" gold	2	SET
①	F3U-A30GXXD0-XXXX-1	WIRE	UL2678 PH0.635mm XXP 30AWG(7/0.102TC) PVC Grey Marking Red Side	XXXX	MM
NO.	PART NO.	NAME	TITLE	QT'Y	UNIT

						OPERATION	DRAW	BEN	09/08/17	SCALE	1:1	WCON 维峰五金电子有限公司 WAFE HARDWARE ELECTRONICS CO. LTD		
						x.x ±0.40	DESIGN			UNIT	mm			
						x.xx ±0.25	CHECK			SIZE	A4		PART NO.	FA42 -xxxxABBxxx-02
						x.xxx ±0.15	APPROVE			SHEET	1/1		TITLE:	1.27*2.54 IDC Drawing
AO	09/08/17	NEW				Angle ± 3'				PROJ.	↗	Customer NO.		
REV	DATE	MODIFICATION DESCRIPTION	CHANGE	APPROVE		DIM TOL								