

HSF

HOUSING MATERIAL

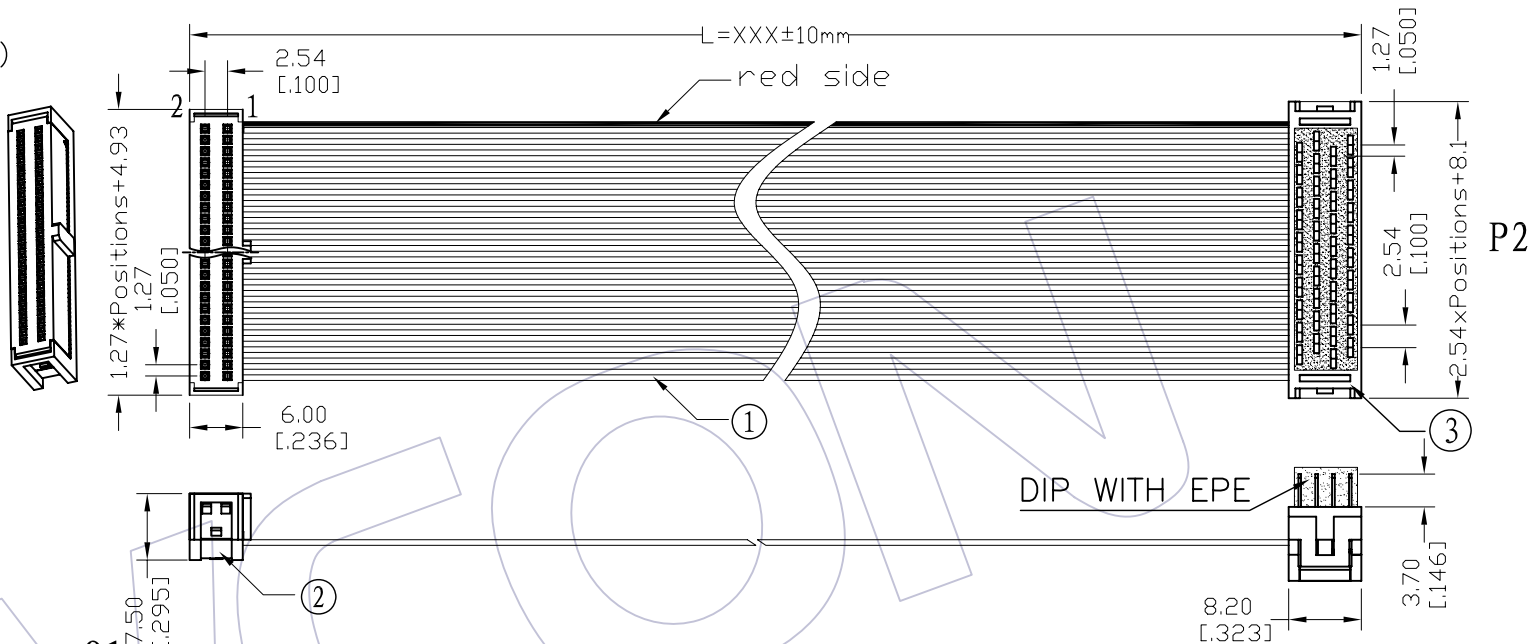
Insulation Material:PBT+30%GF(UL94V-0)
 IDC Contact Material:Phosphor Bronze
 DIP Contact Material:Brass
 Contact plating:Au or Sn Over Ni

SPECIFICATIONS

Insulation Resistance:5MΩ Min
 Contact Resistance:1.0Ω Max
 Withstand Voltage:DC 300V, 10S
 The Cable Assembly Must 100% Test

CABLE MATERIAL

Insulation:UL 2678,Grey Red Side
 Conductor:30AWG(7/0.102mm)
 Electrical:300V



Ordering Information

FB42 - xx xx F A B xxx - 01

No.OF Pins
40~100p

Contact Plating:

- G0=Gold Flash
- G3=10u"Gold
- G4=15u"Gold
- G5=30u"Gold
- S0=Gold Flash/Ni
- S3=10u"Gold/Ni
- S4=15u"Gold/Ni
- S5=30u"Gold/Ni
- SN=Tin

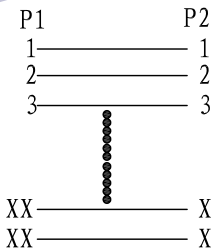
Connector Color:

B=Black

Connector Direction:
F=Same Direction

Length of Line(mm)

CONNECT METHOD



③	5343-XXBXXB	CONN.	1.27*2.54 DIP **P PBT Black Brass Plating Xu" gold	1	SET
②	5242-XXYPXXBW01	CONN.	1.27*2.54 IDC **P PBT Black With Bump Phosphor Bronze Plating Xu" gold	1	SET
①	F3U-A30GXXD0-XXXX-1	WIRE	UL2678 PH0.635mm XXP 30AWG(7/0.102TC) PVC Grey Marking Red Side	XXXX	MM
NO.	PART NO.	NAME	TITLE	QT'Y	UNIT

					OPERATION	DRAW	BEN	09/08/20	SCALE	1:1	WCON 维峰五金电子有限公司 WAFE HARDWARE ELECTRONICS CO. LTD
					X.X ±0.40	DESIGN			UNIT	mm	
					X.XX ±0.25	CHECK			SIZE	A4	
					X.XXX ±0.15	APPROVE			SHEET	1/1	
					Angle ± 3' DIM TOL				PROJ.	Customer NO.	
AO	09/08/20		NEW						PART NO.	FB42 -xxxxFABxxx- 01	
REV	DATE		MODIFICATION DESCRIPTION	CHANGE	APPROVE				TITLE:	1.27*2.54 IDC Drawing	