

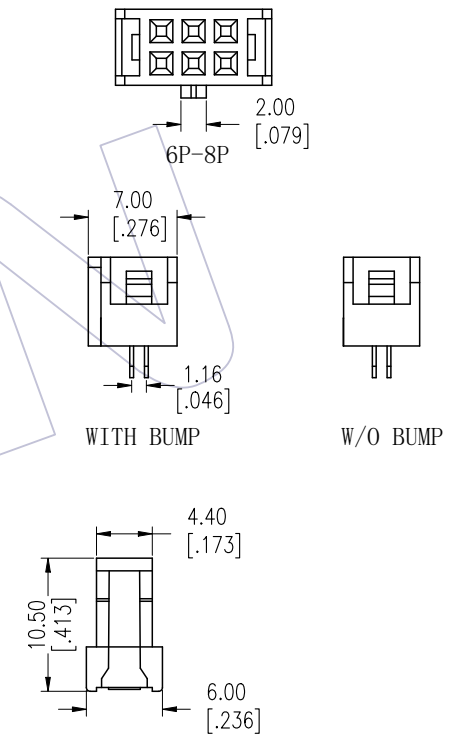
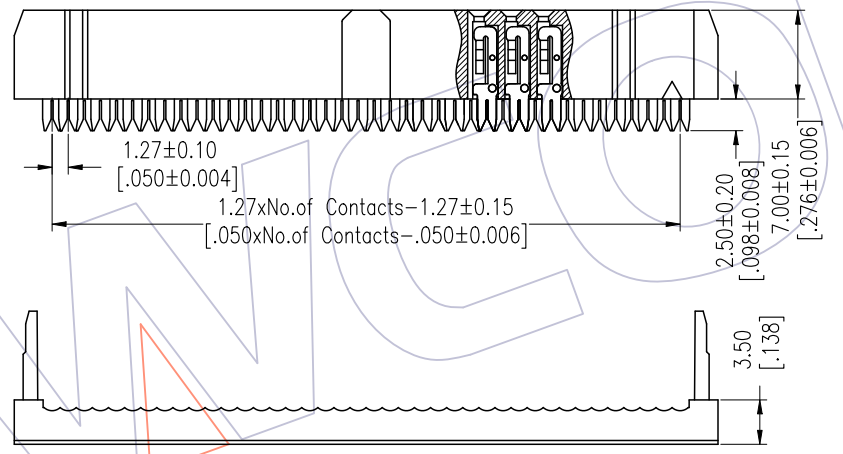
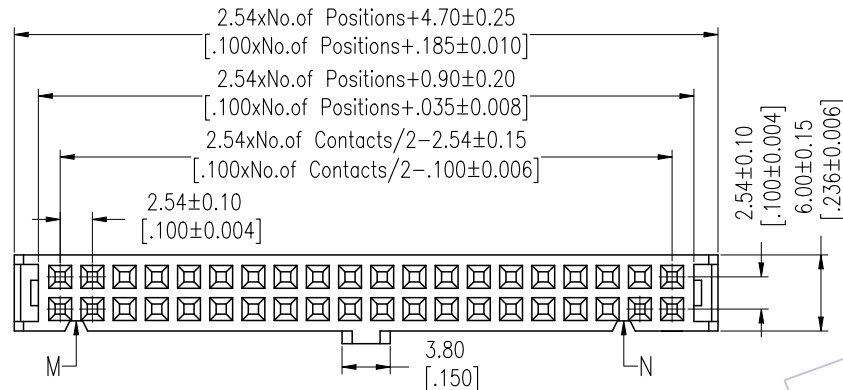
# HSF

**NOTES:**

Current Rating: 3.0AMP  
 Contact Resistance: 20mΩ Max  
 Withstand Voltage: 1000V AC/DC  
 Insulation Resistance: 1000MΩ Min  
 Operation Temperature: -40°C to +105°C

Contact Material: Brass Or Phosphor Bronze  
 Contact plating: Au Or Sn over Ni  
 Insulator Material: PBT+30%G.F UL94V-0

6P Without Slot "M" and "N"  
 8P-12P With Slot "M", Without Slot "N"  
 14P-64P With Slot "M" and "N"



## Ordering Information

5212-XX Y B XX B X 0 X

Two Parts Conn+Cover	No. of Pins 06P 26P 08P 30P 10P 34P 12P 36P 14P 40P 16P 44P 18P 50P 20P 60P 22P 64P 24P	Contact Material B=Brass P=Phosphor Bronze	Contact Plating S0=Gold Flash/Ni S3=10u"Gold/Ni S4=15u"Gold/Ni S5=30u"Gold/Ni SN=Tin	Color Insulator B=Black G=Grey(427C)	Bump N=W/O Bump W=With Bump
-------------------------	---	---	---	--	-----------------------------------

Item	Pitch	Mating
Standard	2.54	3110/3210
Alternate		

REV	DATE	MODIFICATION DESCRIPTION	CHANGE	OPERATION	DRAW	DATE	SCALE	FIT	PART NO.
A1	2022/05/19	Modify TITLE	DuYing	x.X ±0.40	DuYing	2022/05/19	UNIT mm	A4	5212-XXYBXXBX01
A0	2012/12/28	NEW	JYHuang	x.XX ±0.25	CHECK	DATE	SIZE	1/2	TITLE: 2.54 IDC SOCKET (ONE SIDE CONTACT)
				x.XXX ±0.15	APPROVE	DATE	SHEET		Customer NO.
				Angle ± 3°			PROJ.		
				DIM TOL					

**WCON**  
 Http: www.wcon.com  
 WCON-Dongguan Tel: +86 769 85358920  
 WCON-Kunshan Tel: +86 512 57468408  
 Fax: +86 769 85358915 Fax: +86 512 57468468  
 E-mail: sales@wcon.com E-mail: salesks@wcon.com