

HSF

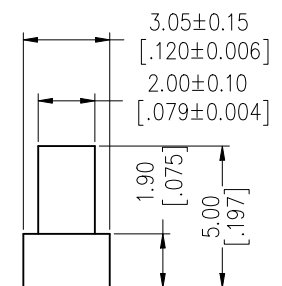
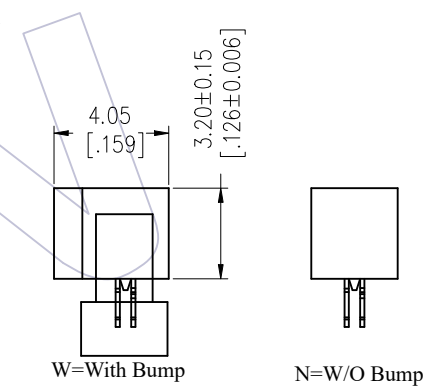
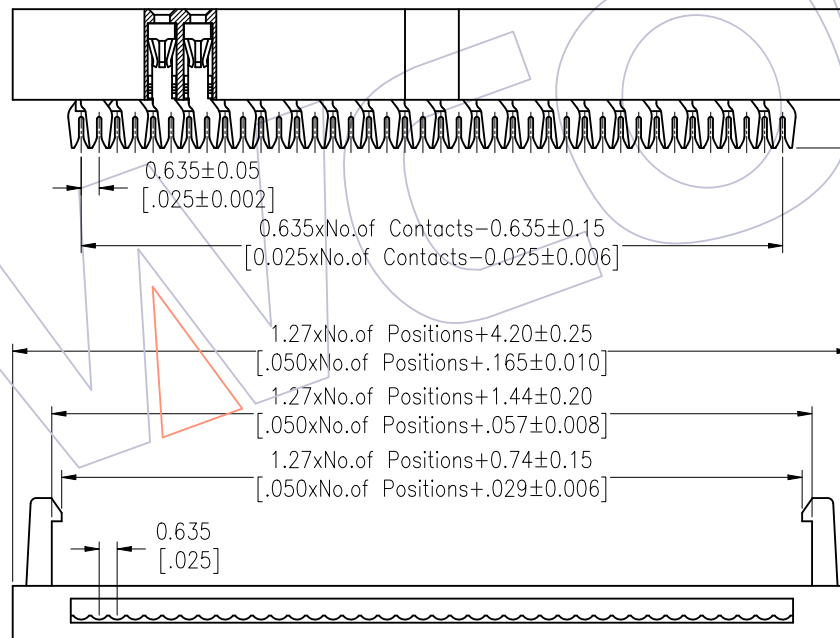
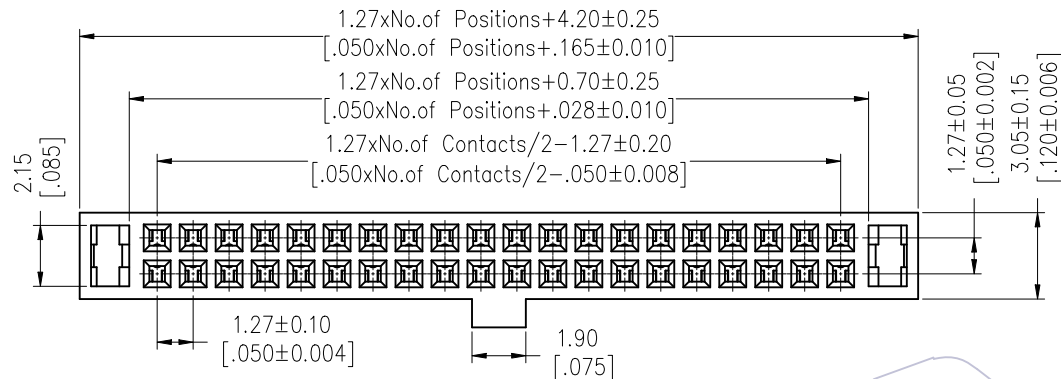
NOTES:
 Rated Current: 1.0AMP
 Contact Resistance: 20mΩ max
 Withstand Voltage: 500V AC/DC
 Insulation Resistance: 1000MΩ min
 Operation Temperature: -40°C to +105°C

Contact Material: Phosphor Bronze
 Contact plating: Au Or Sn over Ni
 Insulator Material: PBT+30%G.F UL94V-0

Ordering Information

5232-XX U P XX B X 0 1

No. of Pins	Contact Plating:	Color:	Bump
06=6P	S0=Gold Flash/Ni	B=Black	N=W/O Bump
10=10P	S3=10u"Gold/Ni	G=Grey 427C	W=With Bump
20=20P	S4=15u"Gold/Ni	E=Grey 413C	
30=30P	S5=30u"Gold/Ni		
40=40P	SN=Tin		
50=50P			
60=60P			
80=80P			



Item	Pitch	Mating
Standard	1.27	3130/3132/3230
Alternate		

REV	DATE	MODIFICATION DESCRIPTION	CHANGE	OPERATION	DRAW	DATE	SCALE	FIT	PART NO.
A0	2012/10/10	NEW	-----	x.x ±0.40	JYHuang	2012/10/10	UNIT mm		5232-XXUPXXBX01
				x.xx ±0.25	CHECK	DATE	SIZE A4		TITLE: 1.27mm IDC SOKET
				x.xxx ±0.15	APPROVE	DATE	SHEET 1/1		Customer NO.
				Angle ± 3°			PROJ.		
				DIM TOL					

WCON
 Http: www.wcon.com
 WCON-Dongguan Tel: +86 769 85358920
 WCON-Kunshan Tel: +86 512 57468408
 Fax: +86 769 85358915 Fax: +86 512 57468468
 E-mail: sales@wcon.com E-mail: salesks@wcon.com