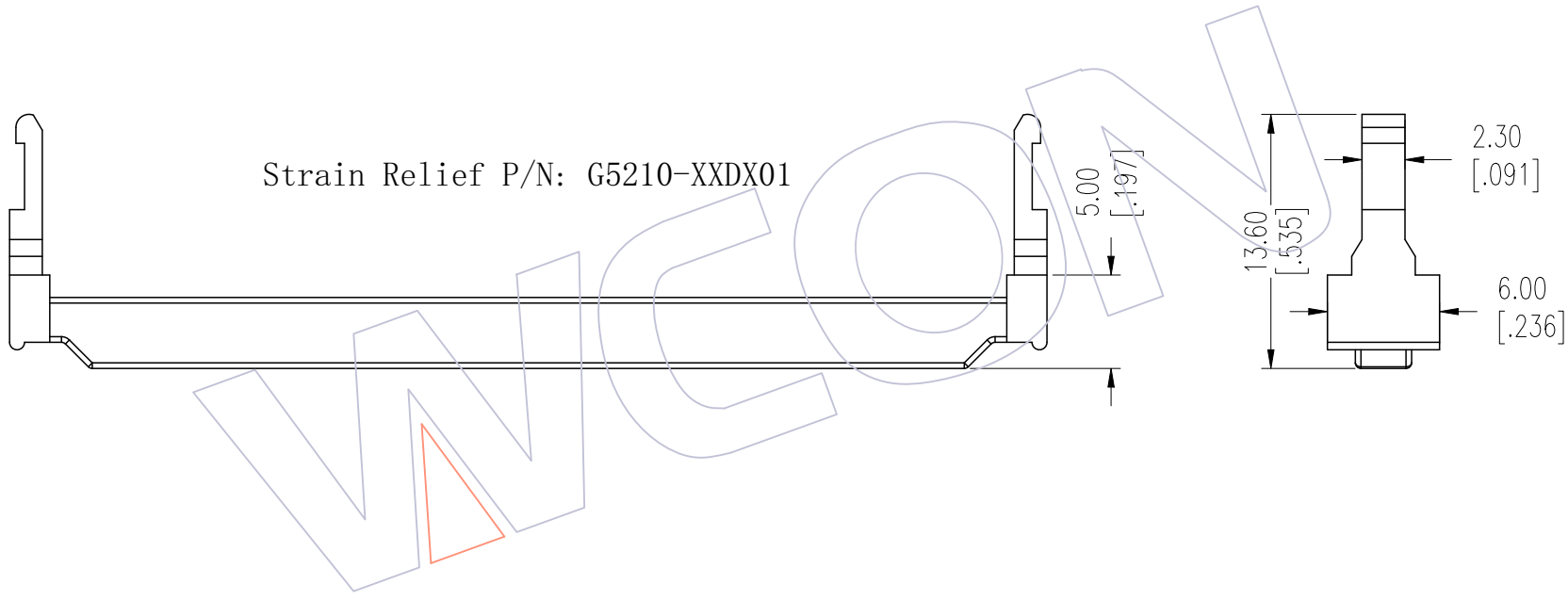


HSF

Strain Relief P/N: G5210-XXDX01



REV	DATE	MODIFICATION DESCRIPTION	CHANGE	OPERATION		DRAW	DATE	SCALE	FIT	PART NO.
				X.X	±0.40					
A1	2022/05/19	Modify TITLE	DuYing	X.XX	±0.25	CHECK	DATE	SIZE	A4	G5210-XXDX01 TITLE: 2.54 IDC SOCKET (BOTH SIDE CONTACT) 中盖带卡点 STRAIN RELIEF
A0	2012/10/11	NEW	JYHuang	X.XXX	±0.15	APPROVE	DATE	SHEET	2/2	
				Angle	± 3'			PROJ.	☯	Customer NO.
				DIM	TOL					

WCON

Http: www.wcon.com

WCON-Dongguan	WCON-Kunshan
Tel: +86 769 85358920	Tel: +86 512 57468408
Fax: +86 769 85358915	Fax: +86 512 57468468
E-mail: sales@wcon.com	E-mail: salesks@wcon.com