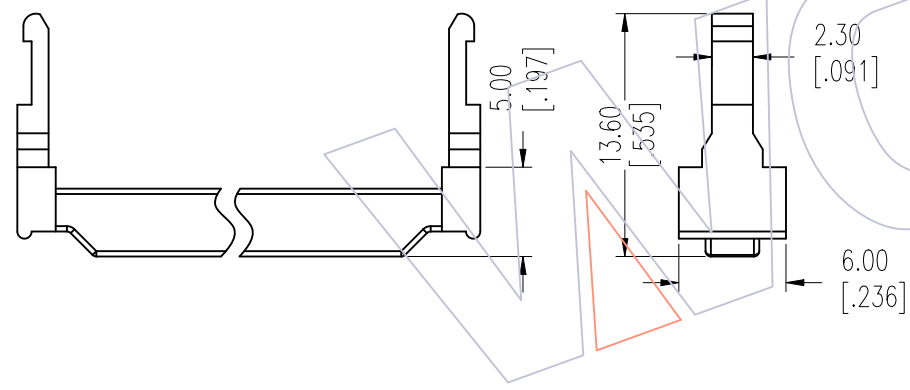
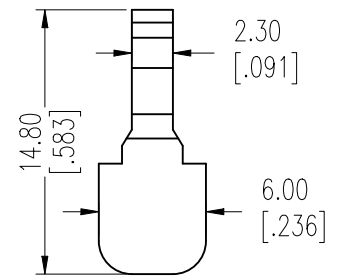
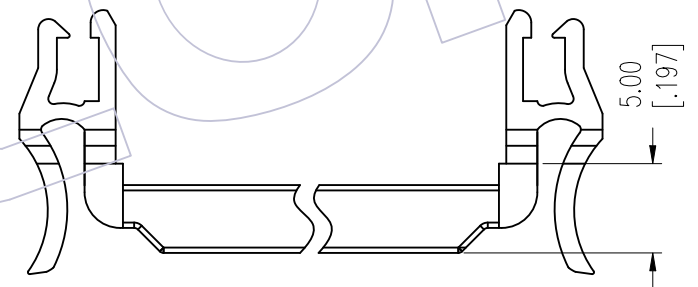


**HSF**

Strain Relief P/N: G5210-XXDX01



BUTTERFL Strain Relief P/N: G5210-XXDX02



REV	DATE	MODIFICATION DESCRIPTION	CHANGE	OPERATION	DRAW	DATE	SCALE	FIT	PART NO.
A1	2022/05/19	Modify TITLE $\Delta$	DuYing	x.x ±0.40	DuYing	2022/05/19	UNIT	mm	G5210-XXDX0X
A1	2012/12/21	MODIFY $\Delta$	JYHuang	x.xx ±0.25	CHECK	DATE	SIZE	A4	TITLE: 2.54 IDC SOCKET (BOTH SIDE CONTACT) STRAIN RELIEF
A0	2012/10/11	NEW	-----	x.xxx ±0.15	APPROVE	DATE	SHEET	2/2	Customer NO.
				Angle ± 3°			PROJ.	$\phi$ $\leftarrow$	
				DIM TOL					

**WCON**  
 Http: www.wcon.com  
 WCON-Dongguan Tel: +86 769 85358920  
 WCON-Kunshan Tel: +86 512 57468408  
 Fax: +86 769 85358915 Fax: +86 512 57468468  
 E-mail: sales@wcon.com E-mail: salesks@wcon.com