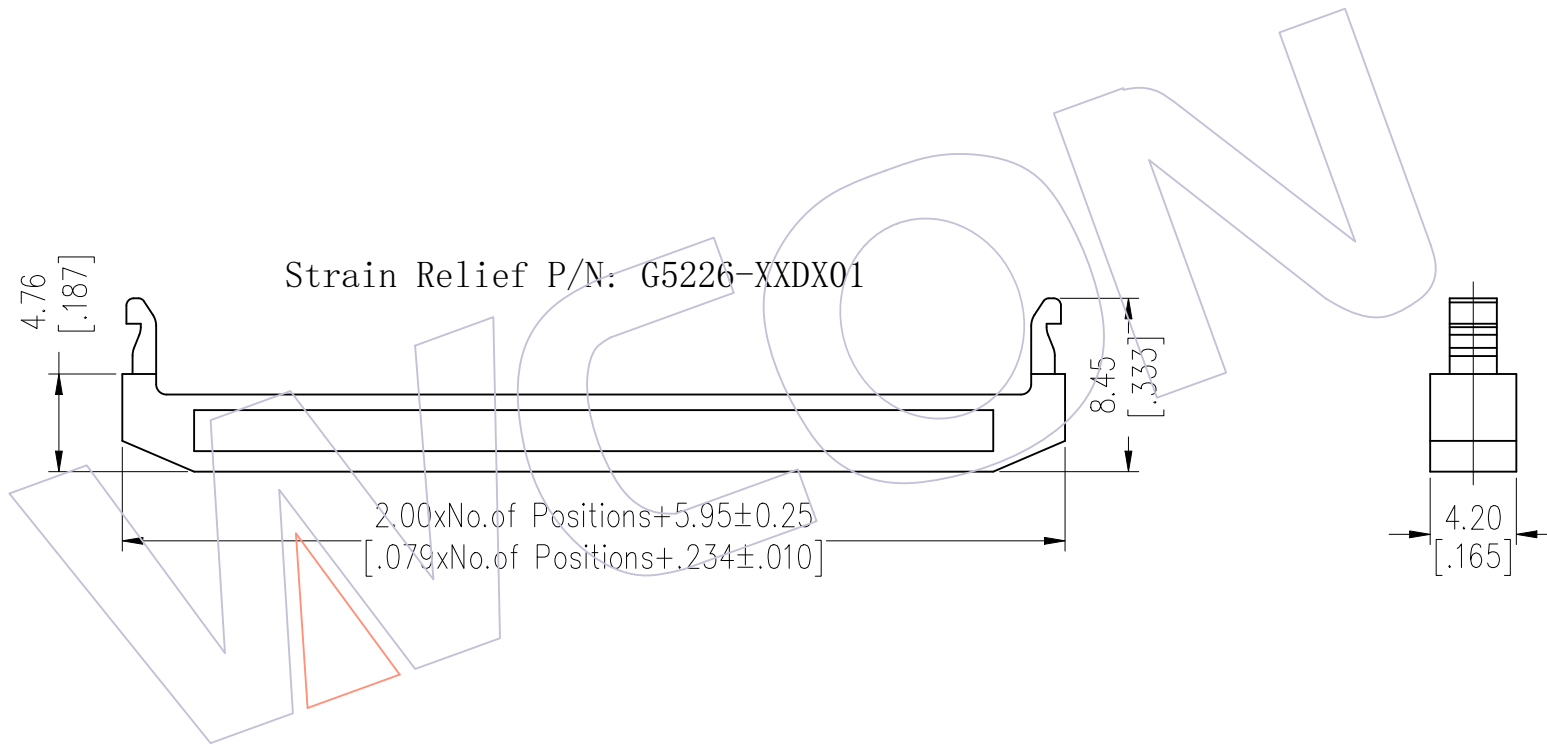


HSF



Strain Relief P/N: G5226-XXDX01

4.76
[.187]

8.45
[.333]

2.00xNo.of Positions+5.95±0.25
[.079xNo.of Positions+.234±.010]

4.20
[.165]

A3	2022/05/25	Modify TITLE	△3	Du Ying	OPERATION	DRAW	DATE	SCALE	FIT	PART NO. G5226-XXDX01
A2	2018/05/29	MODIFY	△2	Ding	X.X ±0.40	Du Ying	2022/05/25	UNIT	mm	
A1	2012/07/28	MODIFY	△1	—	X.XX ±0.25	CHECK	DATE	SIZE	A4	TITLE: 2.00mm IDC SOCKET "M" TYPE (WITH RAMP LOCKING) STRAIN RELIEF △1
A0	2010/09/28	NEW	—	—	X.XXX ±0.15	APPROVE	DATE	SHEET	2/2	
REV	DATE	MODIFICATION DESCRIPTION	CHANGE		Angle ± 3°			PROJ.	⊕	Customer NO.
					DIM TOL					

WCON

Http: www.wcon.com

WCON-Dongguan	WCON-Kunshan
Tel: +86 769 85358920	Tel: +86 512 57468408
Fax: +86 769 85358915	Fax: +86 512 57468468
E-mail: sales@wcon.com	E-mail: salesks@wcon.com