

HSF

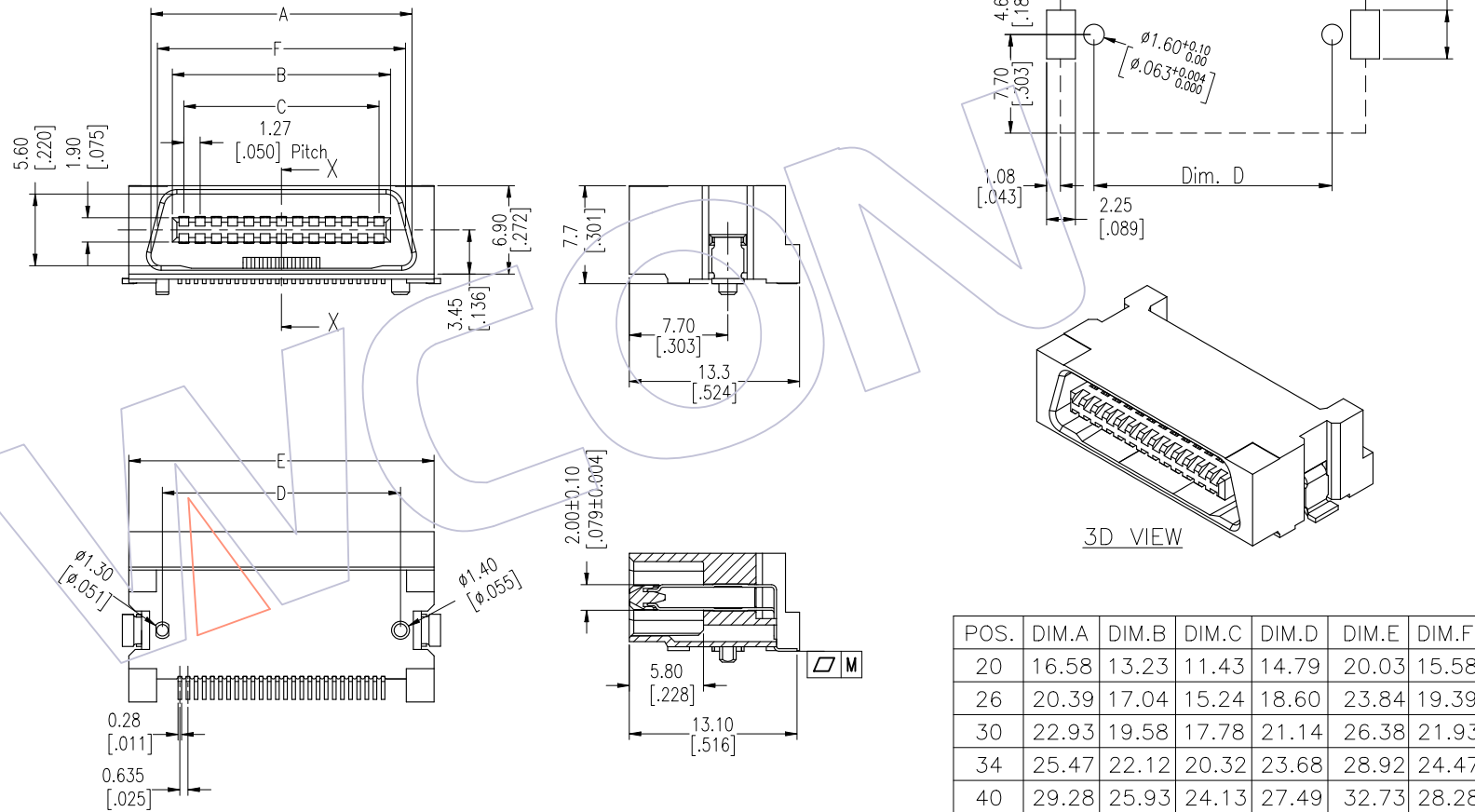
NOTES:

Current Rating: 0.5 AMP
 Contact Resistance: 25mΩ max
 Withstand Voltage: 500V AC
 Insulation Resistance: 500MΩ
 Operation Temperature: -55°C ~ +105°C

Contact Material: Phosphor Bronze
 Contact Plating: Au and Sn over Ni
 Fixing Material: Brass
 Fixing Plating: Sn over Ni
 Housing Material: LCP, Black

M=0.15Max(≥40P)
 M=0.10Max(<40P)

Recommended P.C.B Layout
 (Tolerance ±0.05)



Ordering Information

6320D-XXX RZ XX P W X 01

No. of Pins	Contact Plating	Type	Packing
20P 40P	S1=3u"Gold/Tin	W: With Board Lock	R= Tape & Reel
26P 50P	S2=5u"Gold/Tin		
30P 60P	S3=10u"Gold/Tin		
34P 68P	S4=15u"Gold/Tin		
	S5=30u"Gold/Tin		

POS.	DIM.A	DIM.B	DIM.C	DIM.D	DIM.E	DIM.F
20	16.58	13.23	11.43	14.79	20.03	15.58
26	20.39	17.04	15.24	18.60	23.84	19.39
30	22.93	19.58	17.78	21.14	26.38	21.93
34	25.47	22.12	20.32	23.68	28.92	24.47
40	29.28	25.93	24.13	27.49	32.73	28.28
50	35.63	32.28	30.48	33.84	39.08	34.63
60	41.98	38.63	36.83	40.19	45.43	40.98
68	47.06	43.71	41.91	45.27	50.51	46.06

REV	DATE	MODIFICATION DESCRIPTION	CHANGE	OPERATION	DRAW	DATE	SCALE	FIT	PART NO.
A0	2014/03/24	NEW	-----	x.x ±0.40	JYHuang	2014/03/24	UNIT mm		6320D-XXXRZXXPW01
			-----	x.xx ±0.25	CHECK	DATE	SIZE A4		TITLE:
			-----	x.xxx ±0.15	APPROVE	DATE	SHEET 1/1		1.27PITCH SCSI 90° SMT TYPE
			-----	Angle ± 3°			PROJ.		Customer NO.
			-----	DIM TOL					

WCON
 Http: www.wcon.com
 WCON-Dongguan Tel: +86 769 85358920
 WCON-Kunshan Tel: +86 512 57468408
 Fax: +86 769 85358915 Fax: +86 512 57468468
 E-mail: sales@wcon.com E-mail: salesks@wcon.com