

HSF

NOTES:

- 1.Current Rating:2A Max (only one pin) ;
- 2.Voltage Rating:225V DC;
- 3.Contact Resistance:30mΩ Max;
- 4.Withstand Voltage:750V AC;
- 5.Insulation Resistance:5000MΩ Min;
- 6.Operating Temperature: -55°C to +125°C;
- 7.Insulator Material: LCP,G.F,UL94V-0,BK;
- 8.Contact Material:Copper Alloy;
- 9.Contact plating:
 Au on contact area (See ordering information),
 100μ" Matte TIN on solder area,
 50μ" Nickel underplating overall;
- 10.Recommended process:
 Reflow,Peak temperature:260±5°C, 10s ;

Ordering Information

37 5 1 X- P M XX0 1XX XX X XX

OPTIONS

- 1=A
- 2=LC
- 3=FL
- P=PLUG
- M=180° SMT

No OF POSITIONS
 060=60PIN
 300=300PIN

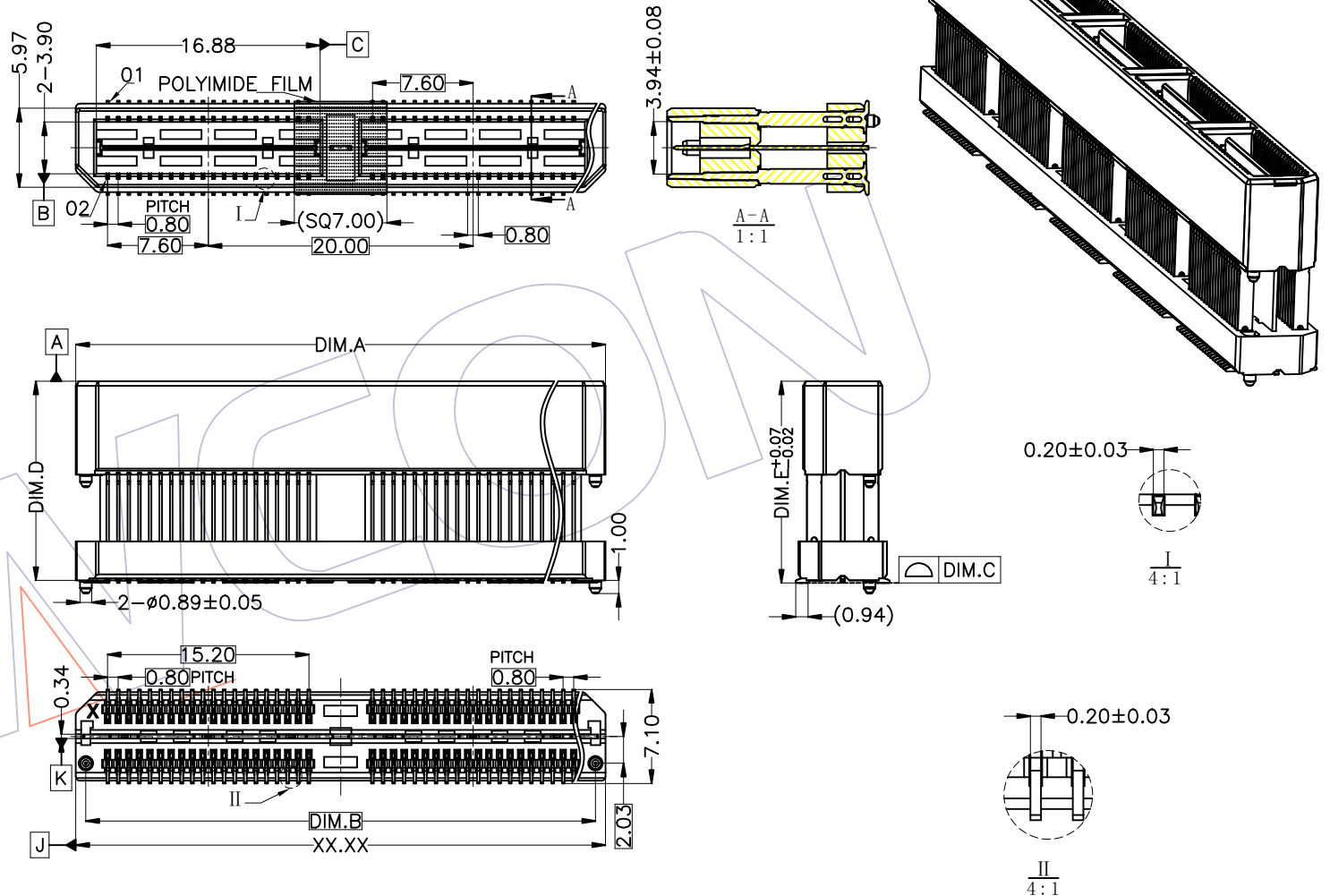
LEAD STYLE
 102=10.26
 132=13.26
 142=14.26
 152=15.24

WCON INTERNAL CODE

PACKAGING
 A=VACUUM BOX
 R=TAPE&REEL

PLATING

W1=SEL.3U"GOLD
 /MATTE SN
 W3=SEL.10U"GOLD
 /MATTE SN
 W5=SEL.30U"GOLD
 /MATTE SN



REV	DATE	MODIFICATION DESCRIPTION	CHANGE	OPERATION	DRAW	DATE	SCALE	Fit	PART NO.
				x.x ±0.40	Abt Chen	2022.10.20	UNIT	mm	3751X-PMXX0-1XXXXX01
				x.xx ±0.25	CHECK	DATE	SIZE	A4	TITLE:
				x.xxx ±0.15	APPROVE	DATE	SHEET	1/6	0.8mmB0 TO B0 PLUG SMT, ASSEMBLY
				Angle ± 3'			PROJ.	⊕	Customer NO.
				DIM TOL					

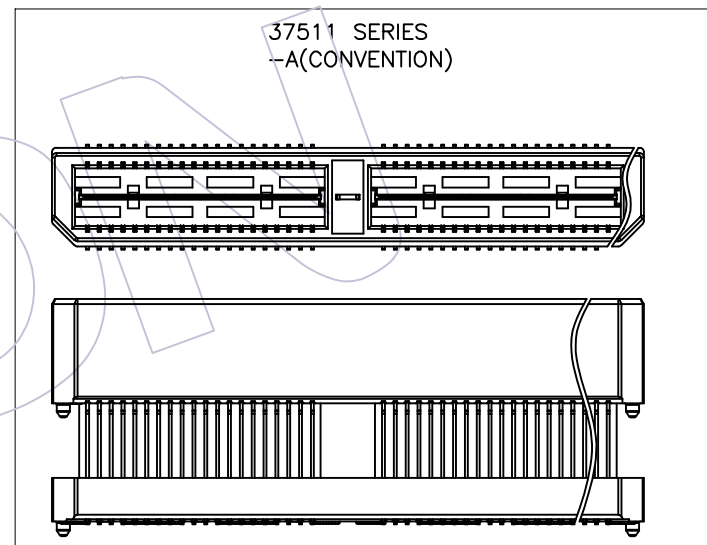
WCON
 Http: www.wcon.com


WCON-Dongguan
 Tel: +86 769 85358920
 Fax: +86 769 85358915
 E-mail: sales@wcon.com

WCON-Kunshan
 Tel: +86 512 57468408
 Fax: +86 512 57468468
 E-mail: salesks@wcon.com

SPECIFICATION&SIZE LIST

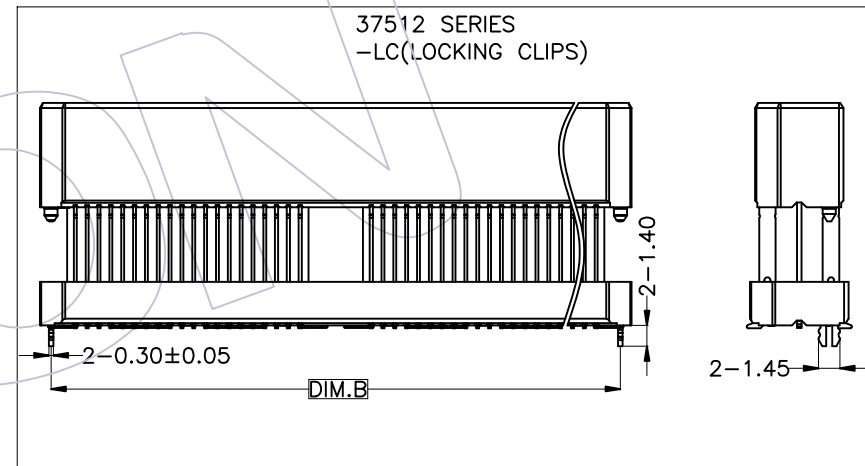
OPTIONS	P/N	PIN	DIM.A	DIM.B	DIM.C	DIM.D
-A (CONVENTION)	37511-PM040-102XXX01	2*20	20.00	18.48	0.10	10.26
	37511-PM080-102XXX01	2*40	40.00	38.48	0.10	10.26
	37511-PM120-102XXX01	2*60	60.00	58.48	0.15	10.26
	37511-PM160-102XXX01	2*80	80.00	78.48	0.15	10.26
	37511-PM200-102XXX01	2*100	100.00	98.48	0.15	10.26
	37511-PM040-132XXX01	2*20	20.00	18.48	0.10	13.26
	37511-PM080-132XXX01	2*40	40.00	38.48	0.10	13.26
	37511-PM120-132XXX01	2*60	60.00	58.48	0.15	13.26
	37511-PM160-132XXX01	2*80	80.00	78.48	0.15	13.26
	37511-PM200-132XXX01	2*100	100.00	98.48	0.15	13.26
	37511-PM040-142XXX01	2*20	20.00	18.48	0.10	14.26
	37511-PM080-142XXX01	2*40	40.00	38.48	0.10	14.26
	37511-PM120-142XXX01	2*60	60.00	58.48	0.15	14.26
	37511-PM160-142XXX01	2*80	80.00	78.48	0.15	14.26
	37511-PM200-142XXX01	2*100	100.00	98.48	0.15	14.26
	37511-PM040-152XXX01	2*20	20.00	18.48	0.10	15.26
	37511-PM080-152XXX01	2*40	40.00	38.48	0.10	15.26
	37511-PM120-152XXX01	2*60	60.00	58.48	0.15	15.26
37511-PM160-152XXX01	2*80	80.00	78.48	0.15	15.26	
37511-PM200-152XXX01	2*100	100.00	98.48	0.15	15.26	



				OPERATION	DRAW	DATE	SCALE	Fit	PART NO.	 Http: www.wcon.com WCON-Dongguan Tel: +86 769 85358920 WCON-Kunshan Tel: +86 512 57468408 Fax: +86 769 85358915 Fax: +86 512 57468468 E-mail: sales@wcon.com E-mail: salesks@wcon.com
				x.x ±0.40	Abt Chen	2022.10.20	UNIT	mm	3751X-PMXX0-1XXXXX01	
				x.xx ±0.25	CHECK	DATE	SIZE	A4	TITLE:	
0	2022.10.20	NEW	—	x.xxx ±0.15	APPROVE	DATE	SHEET	2/6	0.8mmB0 TO B0 PLUG SMT, ASSEMBLY	
REV	DATE	MODIFICATION DESCRIPTION	CHANGE	Angle ± 3'			PROJ.	⊕	Customer NO.	
				DIM TOL						

SPECIFICATION&SIZE LIST

OPTIONS	P/N	PIN	DIM.A	DIM.B	DIM.C	DIM.D
-LC (LOCKING CLIPS)	37512-PM040-102XXX01	2*20	20.00	18.48	0.10	10.26
	37512-PM080-102XXX01	2*40	40.00	38.48	0.10	10.26
	37512-PM120-102XXX01	2*60	60.00	58.48	0.15	10.26
	37512-PM160-102XXX01	2*80	80.00	78.48	0.15	10.26
	37512-PM200-102XXX01	2*100	100.00	98.48	0.15	10.26
	37512-PM040-132XXX01	2*20	20.00	18.48	0.10	13.26
	37512-PM080-132XXX01	2*40	40.00	38.48	0.10	13.26
	37512-PM120-132XXX01	2*60	60.00	58.48	0.15	13.26
	37512-PM160-132XXX01	2*80	80.00	78.48	0.15	13.26
	37512-PM200-132XXX01	2*100	100.00	98.48	0.15	13.26
	37512-PM040-142XXX01	2*20	20.00	18.48	0.10	14.26
	37512-PM080-142XXX01	2*40	40.00	38.48	0.10	14.26
	37512-PM120-142XXX01	2*60	60.00	58.48	0.15	14.26
	37512-PM160-142XXX01	2*80	80.00	78.48	0.15	14.26
	37512-PM200-142XXX01	2*100	100.00	98.48	0.15	14.26
	37512-PM040-152XXX01	2*20	20.00	18.48	0.10	15.26
	37512-PM080-152XXX01	2*40	40.00	38.48	0.10	15.26
	37512-PM120-152XXX01	2*60	60.00	58.48	0.15	15.26
	37512-PM160-152XXX01	2*80	80.00	78.48	0.15	15.26
	37512-PM200-152XXX01	2*100	100.00	98.48	0.15	15.26



REV	DATE	MODIFICATION DESCRIPTION	CHANGE	OPERATION		DRAW	DATE	SCALE	Fit	PART NO.
				x.x	±0.40					
0	2022.10.20	NEW	—	x.xx	±0.25	Abt Chen	2022.10.20	UNIT	mm	3751X-PMXX0-1XXXXX01
				x.xxx	±0.15	CHECK	DATE	SIZE	A4	TITLE:
				Angle	± 3'	APPROVE	DATE	SHEET	3/6	0.8mmB0 TO B0 PLUG SMT, ASSEMBLY
				DIM	TOL			PROJ.	☉	Customer NO.

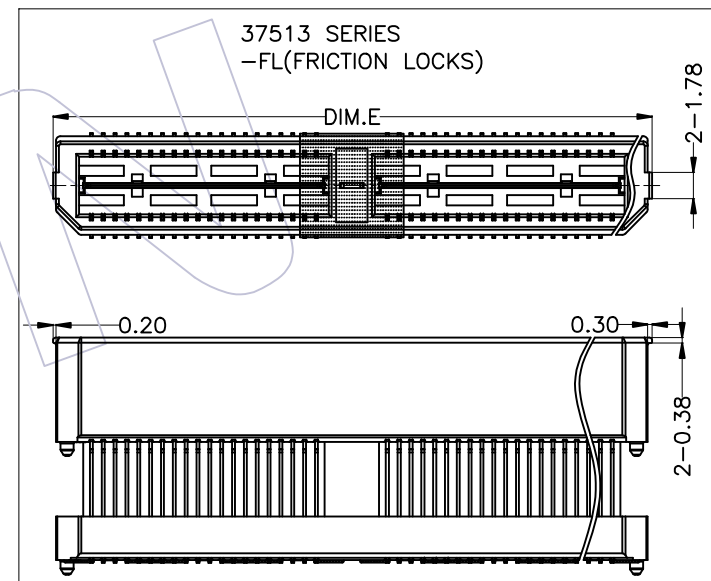
WCON


Http: www.wcon.com

WCON-Dongguan Tel: +86 769 85358920 Fax: +86 769 85358915 E-mail: sales@wcon.com	WCON-Kunshan Tel: +86 512 57468408 Fax: +86 512 57468468 E-mail: salesks@wcon.com
---	--

SPECIFICATION&SIZE LIST

OPTIONS	P/N	PIN	DIM.A	DIM.B	DIM.C	DIM.D	DIM.E
-FL (FRICTION LOCKS)	37513-PM040-102XXX01	2*20	20.00	18.48	0.10	10.26	20.50
	37513-PM080-102XXX01	2*40	40.00	38.48	0.10	10.26	40.50
	37513-PM120-102XXX01	2*60	60.00	58.48	0.15	10.26	60.50
	37513-PM160-102XXX01	2*80	80.00	78.48	0.15	10.26	80.50
	37513-PM200-102XXX01	2*100	100.00	98.48	0.15	10.26	100.50
	37513-PM040-132XXX01	2*20	20.00	18.48	0.10	13.26	20.50
	37513-PM080-132XXX01	2*40	40.00	38.48	0.10	13.26	40.50
	37513-PM120-132XXX01	2*60	60.00	58.48	0.15	13.26	60.50
	37513-PM160-132XXX01	2*80	80.00	78.48	0.15	13.26	80.50
	37513-PM200-132XXX01	2*100	100.00	98.48	0.15	13.26	100.50
	37513-PM040-142XXX01	2*20	20.00	18.48	0.10	14.26	20.50
	37513-PM080-142XXX01	2*40	40.00	38.48	0.10	14.26	40.50
	37513-PM120-142XXX01	2*60	60.00	58.48	0.15	14.26	60.50
	37513-PM160-142XXX01	2*80	80.00	78.48	0.15	14.26	80.50
	37513-PM200-142XXX01	2*100	100.00	98.48	0.15	14.26	100.50
	37513-PM040-152XXX01	2*20	20.00	18.48	0.10	15.26	20.50
	37513-PM080-152XXX01	2*40	40.00	38.48	0.10	15.26	40.50
	37513-PM120-152XXX01	2*60	60.00	58.48	0.15	15.26	60.50
	37513-PM160-152XXX01	2*80	80.00	78.48	0.15	15.26	80.50
	37513-PM200-152XXX01	2*100	100.00	98.48	0.15	15.26	100.50

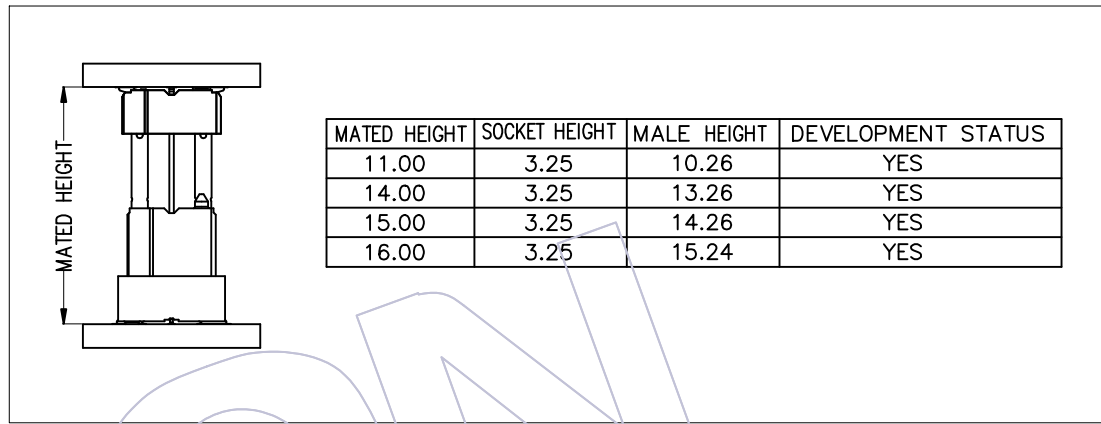
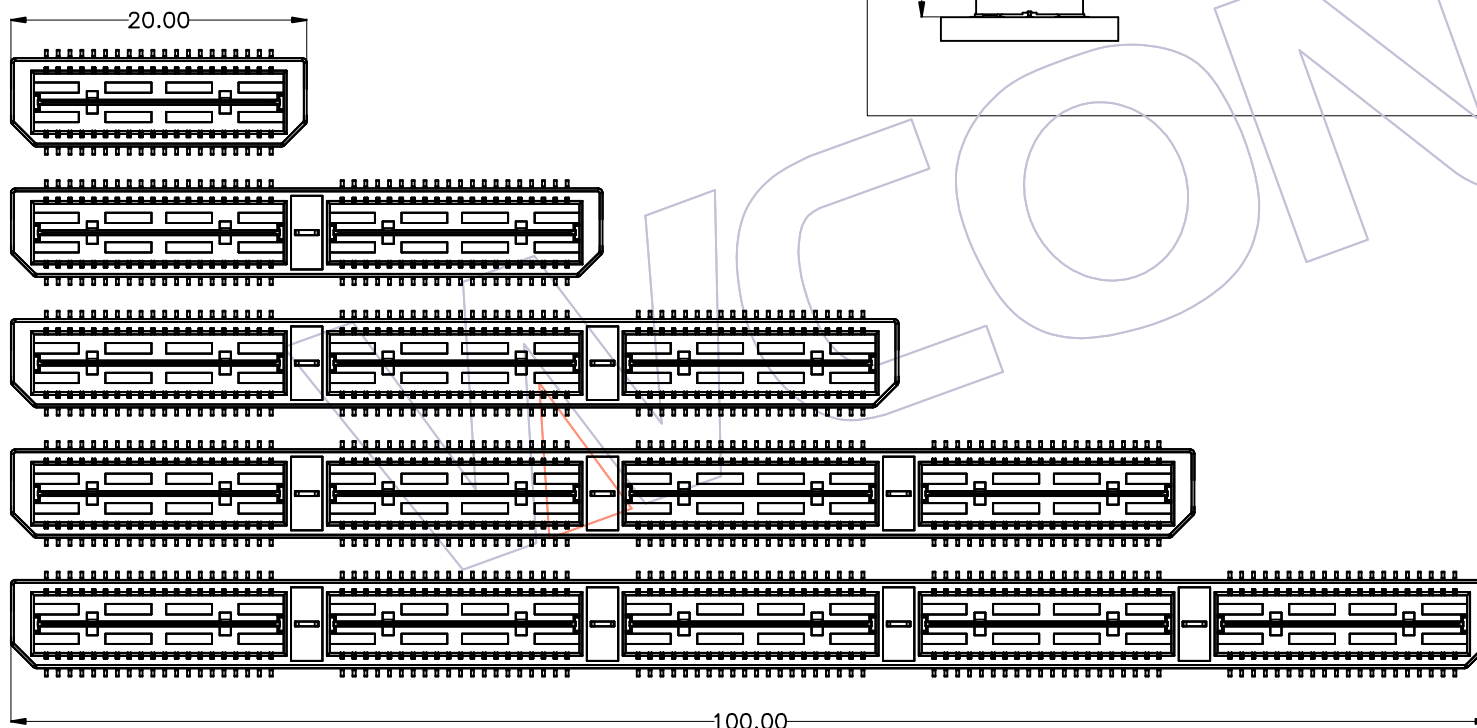


				OPERATION	DRAW	DATE	SCALE	Fit	PART NO.	 Http: www.wcon.com WCON-Dongguan Tel: +86 769 85358920 WCON-Kunshan Tel: +86 512 57468408 Fax: +86 769 85358915 Fax: +86 512 57468468 E-mail: sales@wcon.com E-mail: salesks@wcon.com
				x.x ±0.40	Abt Chen	2022.10.20	UNIT	mm	3751X-PMXX0-1XXXXX01	
				x.xx ±0.25	CHECK	DATE	SIZE	A4	TITLE:	
0	2022.10.20	NEW	—	x.xxx ±0.15	APPROVE	DATE	SHEET	4/6	0.8mmB0 TO B0 PLUG SMT, ASSEMBLY	
REV	DATE	MODIFICATION DESCRIPTION	CHANGE	Angle ± 3°			PROJ.	⊕	Customer NO.	
				DIM TOL						

HSF

MATED HEIGHT

LENGTH SPECIFICATION DISPLAY



MATED HEIGHT	SOCKET HEIGHT	MALE HEIGHT	DEVELOPMENT STATUS
11.00	3.25	10.26	YES
14.00	3.25	13.26	YES
15.00	3.25	14.26	YES
16.00	3.25	15.24	YES

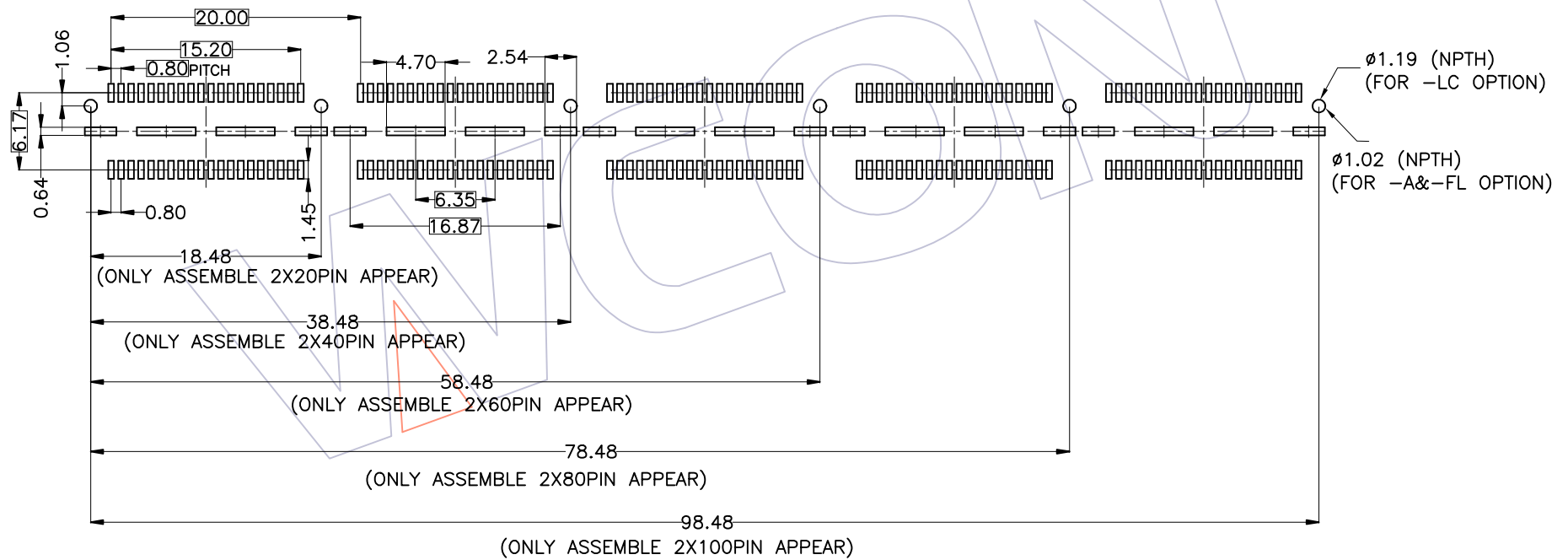
REV	DATE	MODIFICATION DESCRIPTION	CHANGE	OPERATION	DRAW	DATE	SCALE	Fit	PART NO.
0	2022.10.20	NEW	—	x.x ±0.40	Abt Chen	2022.10.20	UNIT	mm	3751X-PMXX0-1XXXXX01
				x.xx ±0.25	CHECK	DATE	SIZE	A4	TITLE:
				x.xxx ±0.15	APPROVE	DATE	SHEET	5/6	0.8mmB0 TO B0 PLUG SMT, ASSEMBLY
				Angle ± 3'			PROJ.	⊕	Customer NO.
				DIM TOL					

WCON
 Http: www.wcon.com

WCON-Dongguan WCON-Kunshan
 Tel: +86 769 85358920 Tel: +86 512 57468408
 Fax: +86 769 85358915 Fax: +86 512 57468468
 E-mail: sales@wcon.com E-mail: salesks@wcon.com

HSF

RECOMMENDED PCB LAYOUT (COMPONENT SIDE)
TOLERANCE ±0.05



REV	DATE	MODIFICATION DESCRIPTION	CHANGE	OPERATION	DRAW	DATE	SCALE	Fit	PART NO.
0	2022.10.20	NEW	—	x.x ±0.40	Abt Chen	2022.10.20	UNIT	mm	3751X-PMXX0-1XXXXX01
				x.xx ±0.25	CHECK	DATE	SIZE	A4	TITLE:
				x.xxx ±0.15	APPROVE	DATE	SHEET	6/6	0.8mmB0 TO B0 PLUG SMT, ASSEMBLY
				Angle ± 3°			PROJ.	⊕	Customer NO.
				DIM TOL					

WCON
Http: www.wcon.com

WCON-Dongguan Tel: +86 769 85358920 Fax: +86 769 85358915 E-mail: sales@wcon.com

WCON-Kunshan Tel: +86 512 57468408 Fax: +86 512 57468468 E-mail: salesks@wcon.com