

HSF

NOTES:

NOTES:

- 1.Current Rating:2A Max (only one pin) ;
- 2.Voltage Rating:225V DC;
- 3.Contact Resistance:30mΩ Max;
- 4.Withstand Voltage:750V AC;
- 5.Insulation Resistance:5000MΩ Min;
- 6.Operating Temperature: -55°C to +125°C;
- 7.Insulator Material: LCP,G.F,UL94V-0,BK;
- 8.Contact Material:Copper Alloy;
- 9.Contact plating:

- Au on contact area (See ordering information),
 100μ" Matte TIN on solder area,
 50μ" Nickel underplating overall;
 10.Recommended process:
 Reflow,Peak temperature:260±5°C, 10s ;

Ordering Information

37 5 1 X- P M XX0 XXX XX A XX

OPTIONS

- 1=A
- 2=LC
- 3=FL
- P=PLUG
- M=180° SMT

WCON INTERNAL CODE
 PACKAGING
 A=VACUUM BOX

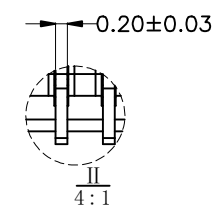
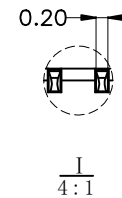
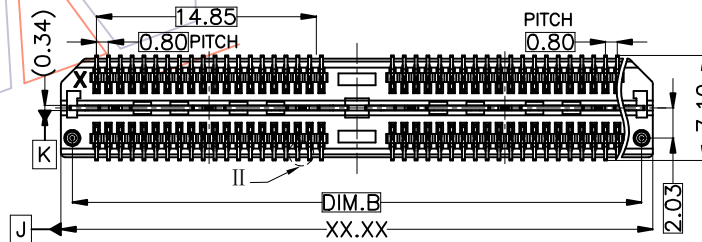
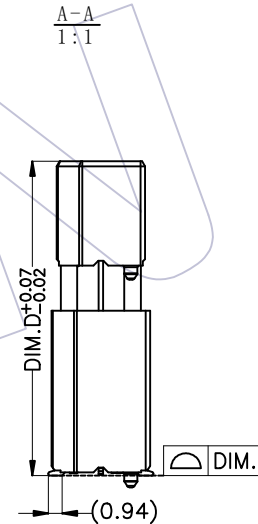
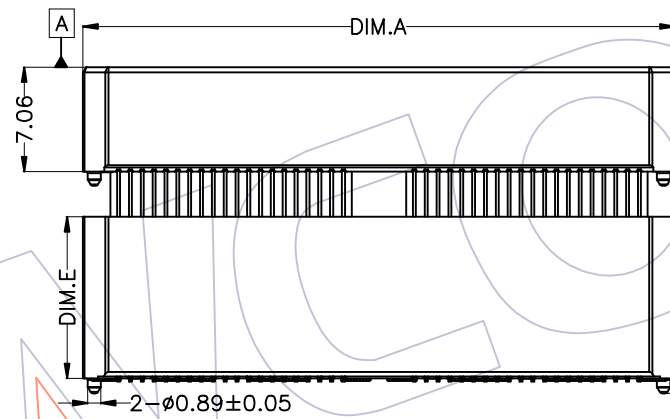
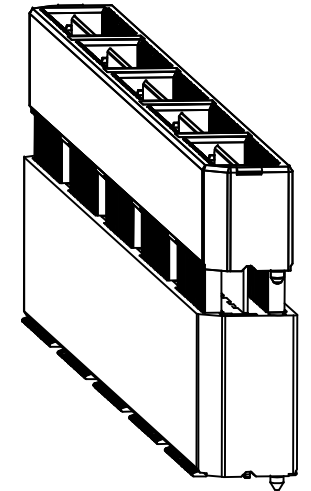
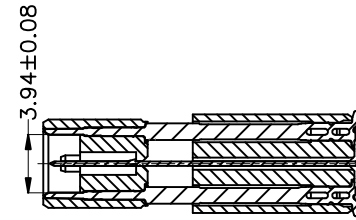
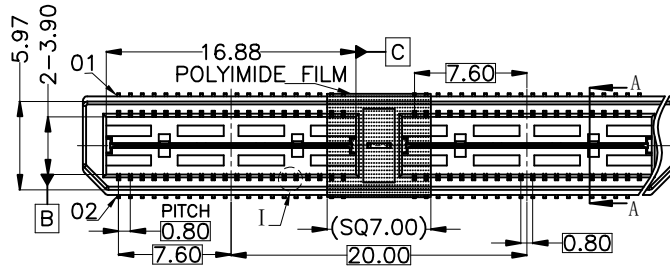
PLATING

- W1=SEL.3U"GOLD/
MATTE SN
- W3=SEL.10U"GOLD/
MATTE SN
- W5=SEL.30U"GOLD/
MATTE SN

- No OF POSITIONS
- 060=60PIN
 - 120=120PIN
 - 180=180PIN
 - 240=240PIN
 - 300=300PIN

LEAD STYLE

- 182=18.26
- 212=21.26
- 242=24.24
- 292=29.24



REV	DATE	MODIFICATION DESCRIPTION	CHANGE	OPERATION	DRAW	DATE	SCALE	Fit	PART NO.
0	2022.10.31	NEW		x.x ±0.40	Abt Chen	2022.10.31	UNIT	mm	3751X-PMXX0-XXXXXA01
				x.xx ±0.25	CHECK	DATE	SIZE	A4	TITLE:
				x.xxx ±0.15	APPROVE	DATE	SHEET	1/6	0.8mmB0 TO B0 PLUG SMT, ASSEMBLY
				Angle ± 3°			PROJ.	⌀	Customer NO.
				DIM TOL					

WCON

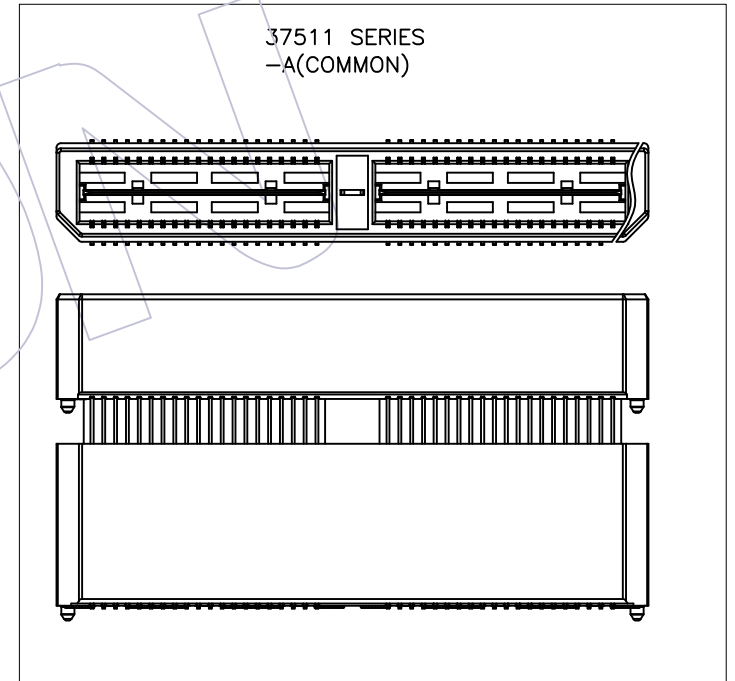
Http: www.wcon.com

WCON-Dongguan Tel: +86 769 85358920 Fax: +86 769 85358915 E-mail: sales@wcon.com
 WCON-Kunshan Tel: +86 512 57468408 Fax: +86 512 57468468 E-mail: salesks@wcon.com

HSF

SPECIFICATION&SIZE LIST

OPTIONS	P/N	PIN	DIM.A	DIM.B	DIM.C	DIM.D	DIM.E
-A (CONVENTION)	37511-PM040-182XXA01	2*20	20.00	18.48	0.10	18.26	10.93
	37511-PM080-182XXA01	2*40	40.00	38.48	0.10	18.26	10.93
	37511-PM120-182XXA01	2*60	60.00	58.48	0.15	18.26	10.93
	37511-PM160-182XXA01	2*80	80.00	78.48	0.15	18.26	10.93
	37511-PM200-182XXA01	2*100	100.00	98.48	0.15	18.26	10.93
	37511-PM040-212XXA01	2*20	20.00	18.48	0.10	21.26	10.93
	37511-PM080-212XXA01	2*40	40.00	38.48	0.10	21.26	10.93
	37511-PM120-212XXA01	2*60	60.00	58.48	0.15	21.26	10.93
	37511-PM160-212XXA01	2*80	80.00	78.48	0.15	21.26	10.93
	37511-PM200-212XXA01	2*100	100.00	98.48	0.15	21.26	10.93
	37511-PM040-242XXA01	2*20	20.00	18.48	0.10	24.24	15.24
	37511-PM080-242XXA01	2*40	40.00	38.48	0.10	24.24	15.24
	37511-PM120-242XXA01	2*60	60.00	58.48	0.15	24.24	15.24
	37511-PM160-242XXA01	2*80	80.00	78.48	0.15	24.24	15.24
	37511-PM200-242XXA01	2*100	100.00	98.48	0.15	24.24	15.24
	37511-PM040-292XXA01	2*20	20.00	18.48	0.10	29.24	15.24
	37511-PM080-292XXA01	2*40	40.00	38.48	0.10	29.24	15.24
	37511-PM120-292XXA01	2*60	60.00	58.48	0.15	29.24	15.24
	37511-PM160-292XXA01	2*80	80.00	78.48	0.15	29.24	15.24
	37511-PM200-292XXA01	2*100	100.00	98.48	0.15	29.24	15.24



				OPERATION	DRAW	DATE	SCALE	Fit	PART NO.
				x.x ±0.40	Abt Chen	2022.10.31	UNIT	mm	3751X-PMXX0-XXXXXA01
				x.xx ±0.25	CHECK	DATE	SIZE	A4	TITLE:
0	2022.10.31	NEW	—	x.xxx ±0.15	APPROVE	DATE	SHEET	2/6	0.8mmB0 TO B0 PLUG SMT, ASSEMBLY
REV	DATE	MODIFICATION DESCRIPTION	CHANGE	Angle ± 3'			PROJ.	⊕	Customer NO.
				DIM TOL					



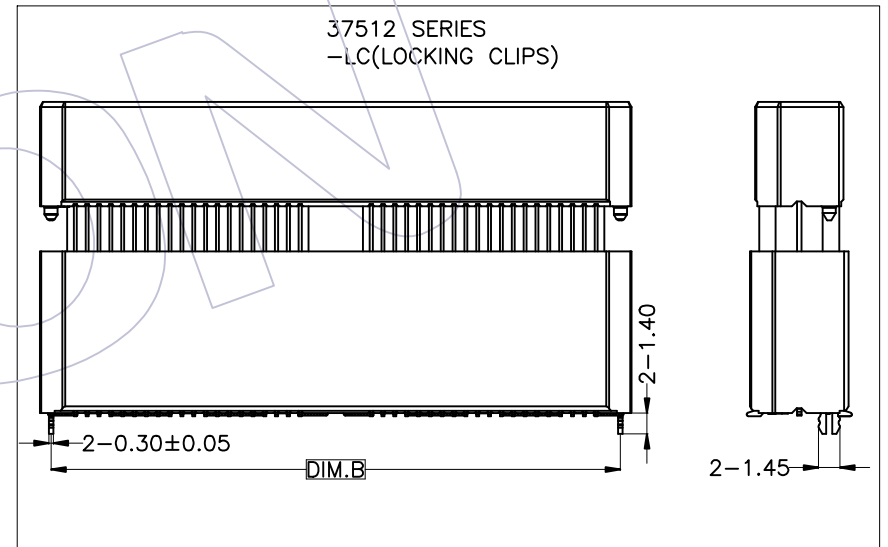
Http: www.wcon.com

WCON-Dongguan Tel: +86 769 85358920 Fax: +86 769 85358915 E-mail: sales@wcon.com	WCON-Kunshan Tel: +86 512 57468408 Fax: +86 512 57468468 E-mail: salesks@wcon.com
---	--

HSF

SPECIFICATION&SIZE LIST

OPTIONS	P/N	PIN	DIM.A	DIM.B	DIM.C	DIM.D	DIM.E
-LC (LOCKING CLIPS)	37512-PM040-182XXA01	2*20	20.00	18.48	0.10	18.26	10.93
	37512-PM080-182XXA01	2*40	40.00	38.48	0.10	18.26	10.93
	37512-PM120-182XXA01	2*60	60.00	58.48	0.15	18.26	10.93
	37512-PM160-182XXA01	2*80	80.00	78.48	0.15	18.26	10.93
	37512-PM200-182XXA01	2*100	100.00	98.48	0.15	18.26	10.93
	37512-PM040-212XXA01	2*20	20.00	18.48	0.10	21.26	10.93
	37512-PM080-212XXA01	2*40	40.00	38.48	0.10	21.26	10.93
	37512-PM120-212XXA01	2*60	60.00	58.48	0.15	21.26	10.93
	37512-PM160-212XXA01	2*80	80.00	78.48	0.15	21.26	10.93
	37512-PM200-212XXA01	2*100	100.00	98.48	0.15	21.26	10.93
	37512-PM040-242XXA01	2*20	20.00	18.48	0.10	24.24	15.24
	37512-PM080-242XXA01	2*40	40.00	38.48	0.10	24.24	15.24
	37512-PM120-242XXA01	2*60	60.00	58.48	0.15	24.24	15.24
	37512-PM160-242XXA01	2*80	80.00	78.48	0.15	24.24	15.24
	37512-PM200-242XXA01	2*100	100.00	98.48	0.15	24.24	15.24
	37512-PM040-292XXA01	2*20	20.00	18.48	0.10	29.24	15.24
	37512-PM080-292XXA01	2*40	40.00	38.48	0.10	29.24	15.24
	37512-PM120-292XXA01	2*60	60.00	58.48	0.15	29.24	15.24
	37512-PM160-292XXA01	2*80	80.00	78.48	0.15	29.24	15.24
	37512-PM200-292XXA01	2*100	100.00	98.48	0.15	29.24	15.24



REV	DATE	MODIFICATION DESCRIPTION	CHANGE	OPERATION	DRAW	DATE	SCALE	Fit	PART NO.
0	2022.10.31	NEW	—	x.x ±0.40	Abt Chen	2022.10.31	UNIT	mm	3751X-PMXX0-XXXXXA01
				x.xx ±0.25	CHECK	DATE	SIZE	A4	TITLE:
				x.xxx ±0.15	APPROVE	DATE	SHEET	3/6	0.8mmB0 TO B0 PLUG SMT, ASSEMBLY
				Angle ± 3'			PROJ.	⊕	Customer NO.
				DIM TOL					

WCON

Http: www.wcon.com

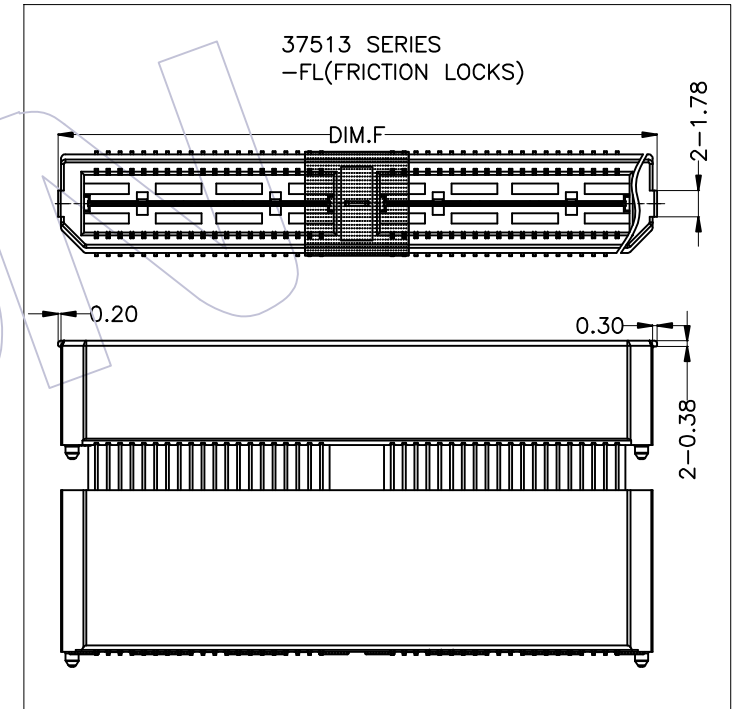
WCON-Dongguan
Tel: +86 769 85358920
Fax: +86 769 85358915
E-mail: sales@wcon.com


WCON-Kunshan
Tel: +86 512 57468408
Fax: +86 512 57468468
E-mail: salesks@wcon.com

HSF

SPECIFICATION&SIZE LIST

OPTIONS	P/N	PIN	DIM.A	DIM.B	DIM.C	DIM.D	DIM.E	DIM.F
-FL (FRICTION LOCKS)	37513-PM040-182XXA01	2*20	20.00	18.48	0.10	18.26	10.93	20.50
	37513-PM080-182XXA01	2*40	40.00	38.48	0.10	18.26	10.93	40.50
	37513-PM120-182XXA01	2*60	60.00	58.48	0.15	18.26	10.93	60.50
	37513-PM160-182XXA01	2*80	80.00	78.48	0.15	18.26	10.93	80.50
	37513-PM200-182XXA01	2*100	100.00	98.48	0.15	18.26	10.93	100.50
	37513-PM040-212XXA01	2*20	20.00	18.48	0.10	21.26	10.93	20.50
	37513-PM080-212XXA01	2*40	40.00	38.48	0.10	21.26	10.93	40.50
	37513-PM120-212XXA01	2*60	60.00	58.48	0.15	21.26	10.93	60.50
	37513-PM160-212XXA01	2*80	80.00	78.48	0.15	21.26	10.93	80.50
	37513-PM200-212XXA01	2*100	100.00	98.48	0.15	21.26	10.93	100.50
	37513-PM040-242XXA01	2*20	20.00	18.48	0.10	24.24	15.24	20.50
	37513-PM080-242XXA01	2*40	40.00	38.48	0.10	24.24	15.24	40.50
	37513-PM120-242XXA01	2*60	60.00	58.48	0.15	24.24	15.24	60.50
	37513-PM160-242XXA01	2*80	80.00	78.48	0.15	24.24	15.24	80.50
	37513-PM200-242XXA01	2*100	100.00	98.48	0.15	24.24	15.24	100.50
	37513-PM040-292XXA01	2*20	20.00	18.48	0.10	29.24	15.24	20.50
	37513-PM080-292XXA01	2*40	40.00	38.48	0.10	29.24	15.24	40.50
	37513-PM120-292XXA01	2*60	60.00	58.48	0.15	29.24	15.24	60.50
	37513-PM160-292XXA01	2*80	80.00	78.48	0.15	29.24	15.24	80.50
	37513-PM200-292XXA01	2*100	100.00	98.48	0.15	29.24	15.24	100.50

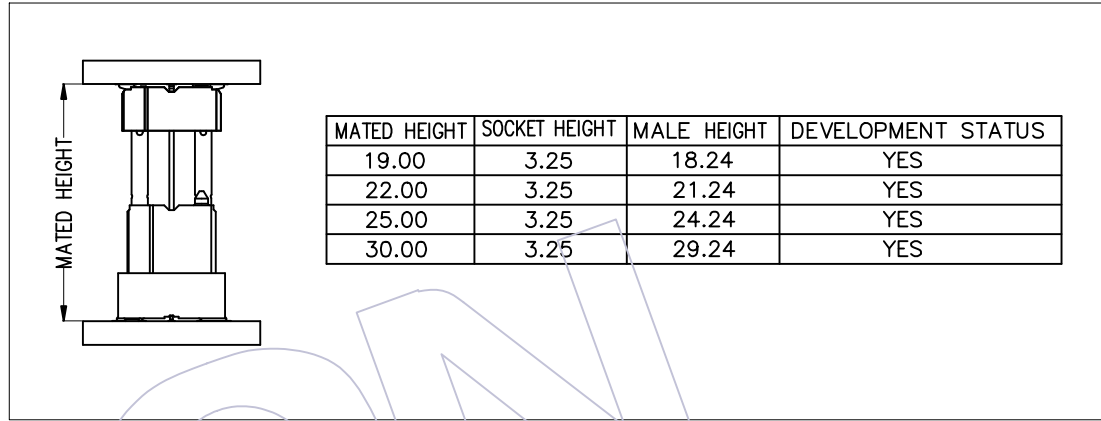


				OPERATION		DRAW		DATE		SCALE		Fit		PART NO.		 Http: www.wcon.com WCON-Dongguan WCON-Kunshan Tel: +86 769 85358920 Tel: +86 512 57468408 Fax: +86 769 85358915 Fax: +86 512 57468468 E-mail: sales@wcon.com E-mail: salesks@wcon.com	
				x.x ±0.40		Abt Chen		2022.10.31		UNIT		mm		3751X-PMXX0-XXXXXA01			
				x.xx ±0.25		CHECK		DATE		SIZE		A4		TITLE:			
0		2022.10.31		NEW		APPROVE		DATE		SHEET		4/6		0.8mmB0 TO B0 PLUG SMT, ASSEMBLY			
REV	DATE	MODIFICATION DESCRIPTION		CHANGE	DIM	TOL					PROJ.		Customer NO.				

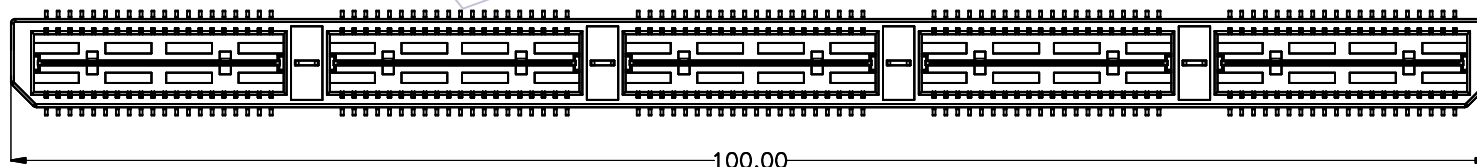
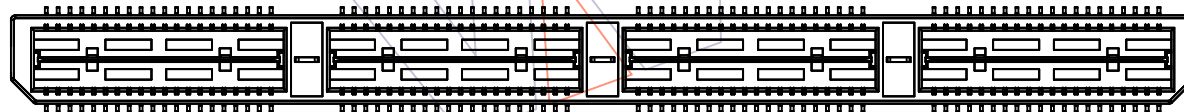
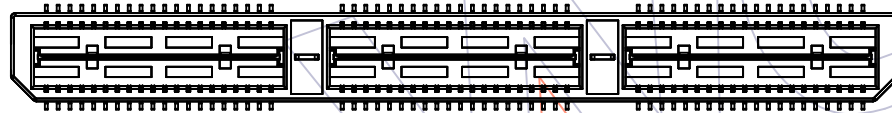
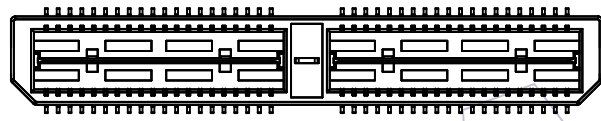
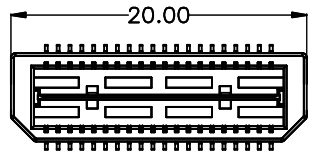
HSF

MATED HEIGHT

LENGTH SPECIFICATION DISPLAY



MATED HEIGHT	SOCKET HEIGHT	MALE HEIGHT	DEVELOPMENT STATUS
19.00	3.25	18.24	YES
22.00	3.25	21.24	YES
25.00	3.25	24.24	YES
30.00	3.25	29.24	YES



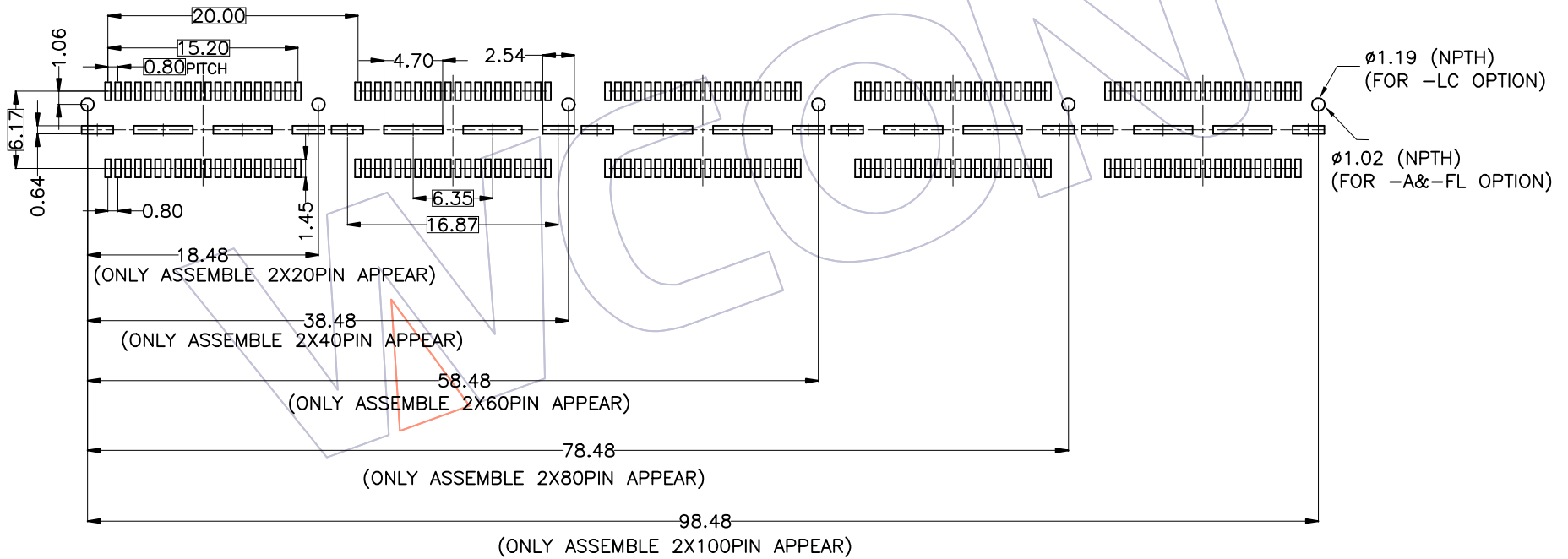
REV	DATE	MODIFICATION DESCRIPTION	CHANGE	OPERATION	DRAW	DATE	SCALE	Fit	PART NO.
0	2022.10.31	NEW	—	x.x ±0.40	Abt Chen	2022.10.31	UNIT	mm	3751X-PMXX0-XXXXA01
				x.xx ±0.25	CHECK	DATE	SIZE	A4	TITLE:
				x.xxx ±0.15	APPROVE	DATE	SHEET	5/6	0.8mmB0 TO B0 PLUG SMT, ASSEMBLY
				Angle ± 3'			PROJ.	⊕	Customer NO.
				DIM TOL					

WCON
 Http: www.wcon.com

WCON-Dongguan Tel: +86 769 85358920 Fax: +86 769 85358915 E-mail: sales@wcon.com	WCON-Kunshan Tel: +86 512 57468408 Fax: +86 512 57468468 E-mail: salesks@wcon.com
---	--

HSF

RECOMMENDED PCB LAYOUT (COMPONENT SIDE)
TOLERANCE ±0.05



REV	DATE	MODIFICATION DESCRIPTION	CHANGE	OPERATION	DRAW	DATE	SCALE	Fit	PART NO.
0	2022.10.31	NEW	—	x.x ±0.40	Abt Chen	2022.10.31	UNIT	mm	3751X-PMXX0-XXXXXA01
				x.xx ±0.25	CHECK	DATE	SIZE	A4	TITLE:
				x.xxx ±0.15	APPROVE	DATE	SHEET	6/6	0.8mmB0 TO B0 PLUG SMT, ASSEMBLY
				Angle ± 3°			PROJ.	⊕	Customer NO.
				DIM TOL					

WCON
Http: www.wcon.com

WCON-Dongguan
Tel: +86 769 85358920
Fax: +86 769 85358915
E-mail: sales@wcon.com

WCON-Kunshan
Tel: +86 512 57468408
Fax: +86 512 57468468
E-mail: salesks@wcon.com